

MicroBlaze Debug Module (MDM) v3.2

LogiCORE IP Product Guide

Vivado Design Suite

PG115 (v3.2) November 14, 2019



Table of Contents

Chapter 1: Introduction.....	4
Features.....	4
IP Facts.....	5
Chapter 2: Overview.....	6
Feature Summary.....	6
Licensing and Ordering.....	7
Chapter 3: Product Specification.....	8
Standards.....	8
Performance and Resource Utilization.....	8
Port Descriptions.....	8
Register Space.....	17
Trace Packet Definition.....	33
Chapter 4: Designing with the Core.....	40
General Design Guidelines.....	40
Clocking.....	41
Resets.....	42
Debug Register Access Sequence.....	43
Cross Trigger Programming.....	44
External Trace Connection.....	46
Protocol Description.....	47
Chapter 5: Design Flow Steps.....	48
Customizing and Generating the Core.....	48
Parameter Values.....	51
Constraining the Core.....	53
Simulation.....	55
Synthesis and Implementation.....	55
Appendix A: Upgrading.....	56

Migrating to the Vivado Design Suite.....	56
Upgrading in the Vivado Design Suite.....	56
Appendix B: Debugging.....	57
Finding Help on Xilinx.com.....	57
Debug Tools.....	58
Simulation Debug.....	59
Hardware Debug.....	59
Interface Debug.....	60
Appendix C: Application Software Development.....	61
Device Drivers.....	61
Appendix D: Additional Resources and Legal Notices.....	62
Xilinx Resources.....	62
Documentation Navigator and Design Hubs.....	62
References.....	62
Revision History.....	63
Please Read: Important Legal Notices.....	65

Introduction

This document provides the design specification for the MicroBlaze™ Debug Module (MDM) core which enables JTAG-based debugging of one or more MicroBlaze processors. The MDM core is added separately in the Vivado® Design Suite and connected to the MicroBlaze processors to be debugged

Features

- Support for JTAG-based software debug tools
- Support for debugging up to 32 MicroBlaze processors
- Support for synchronized control of multiple MicroBlaze processors
- Support for a JTAG-based UART with a configurable AXI4-Lite interface
- Based on Boundary Scan (BSCAN) logic in Xilinx® devices
- Direct JTAG-based access to memory with a configurable AXI4 master interface
- Configurable software access to debug functionality through the AXI4-Lite interface
- Support for cross-trigger between connected MicroBlaze cores, Zynq®-7000 Processing System, and Integrated Logic Analyzer (ILA) cores
- External trace function to funnel program trace from connected MicroBlaze cores to external interfaces
- Connection to Debug Bridge through external BSCAN to support Xilinx Virtual Cable (XVC)

IP Facts

LogiCORE™ IP Facts Table	
Core Specifics	
Supported Device Family ¹	UltraScale+™, UltraScale™, Zynq®-7000 SoC, 7 series
Supported User Interfaces	AXI4, AXI4-Lite
Resources	Performance and Resource Use web page
Provided with Core	
Design Files	RTL
Example Design	Not Provided
Test Bench	Not Provided
Constraints File	Not Provided
Simulation Model	VHDL Behavioral
Supported S/W Driver ²	Standalone and Linux
Tested Design Flows³	
Design Entry	Vivado® Design Suite
Simulation	For supported simulators, see the Xilinx Design Tools: Release Notes Guide .
Synthesis	Vivado Synthesis
Support	
Release Notes and Known Issues	Master Answer Record: 54413
All Vivado IP Change Logs	Master Vivado IP Change Logs: 72775
Xilinx Support web page	

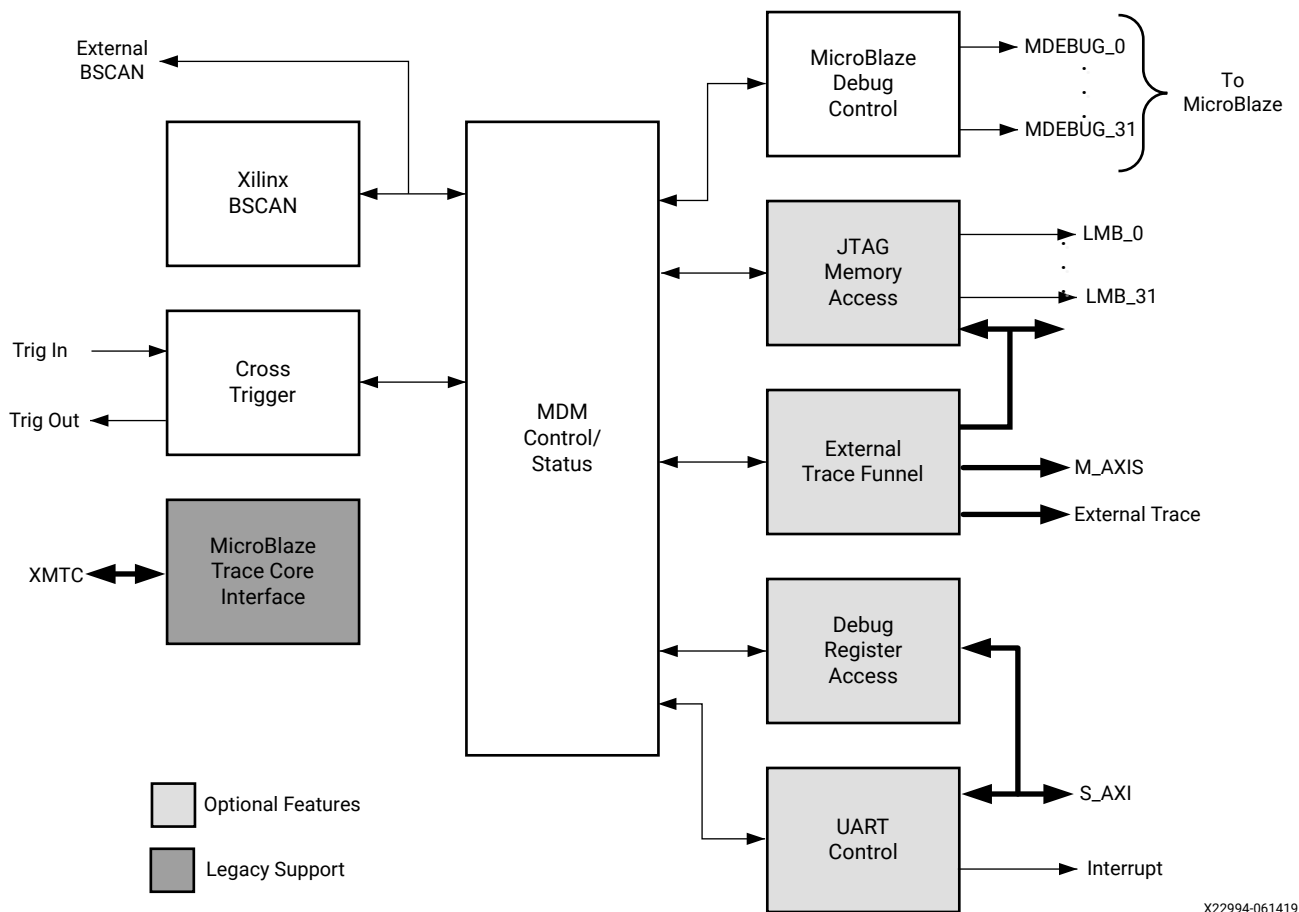
Notes:

1. For a complete list of supported devices, see the Vivado® IP catalog.
2. Standalone driver details can be found in the Vitis™ software platform directory (<install_directory>/Vitis/<release>/data/embeddedsw/doc/xilinx_drivers.htm).
3. For the supported versions of the tools, see the [Xilinx Design Tools: Release Notes Guide](#).

Overview

The block diagram of the MicroBlaze™ Debug Module is shown in the following figure.

Figure 1: MicroBlaze Debug Module (MDM) Core Block Diagram



X22994-061419

Feature Summary

- Enables JTAG-based debugging of one or more MicroBlaze™ processors.
- Instantiates one BSCAN primitive, or allows an external BSCAN to be used. In devices that contain more than one BSCAN primitive, the MDM core uses the USER2 BSCAN by default.

- External BSCAN also supports connection to the Debug Bridge LogiCORE™ IP, to use the Xilinx® Virtual Cable (XVC) for debugging over non-JTAG interfaces.
- Includes a UART with a configurable slave bus interface which can be configured for an AXI4-Lite interconnect. The UART TX and RX signals are transmitted over the device JTAG port to and from the Xilinx System Debugger (XSDB) tool. The UART behaves in a manner similar to the LogiCORE IP AXI (UART) Lite core.
- Provides a configurable AXI4 master port for direct access to memory from JTAG. This allows fast program download, as well as transparent memory access when the connected MicroBlaze processors are executing. Extended address up to 64 bits is supported when MicroBlaze is configured to use 64-bit mode.
- Allows software to control debug and observe debug status through the AXI4-Lite slave interface. This is particularly useful for software performance measurements and analysis, using the MicroBlaze extended debug functionality for performance monitoring.
- Includes a cross-trigger capability, which enables routing of trigger events between connected MicroBlaze processors, as well as an external interface compatible with the Zynq®-7000 Processing System.
- Includes support for external trace interfaces to funnel and store MicroBlaze program trace in external storage. Program trace from connected MicroBlaze processors can be directly output on an external interface, stored in external memory via the AXI4 master port, or transmitted on an AXI4-Stream interface compatible with the Zynq-7000 Processing System.
- Supports MicroBlaze parallel debug access, designed to provide faster direct access to MicroBlaze debug registers, and to improve timing compared to serial debug.

In general, it is recommended to only use this feature when software debug through JTAG is not required, because otherwise the MDM must perform a serial to parallel conversion of the JTAG signals, which requires additional logic.

Licensing and Ordering

This Xilinx® LogiCORE™ IP module is provided at no additional cost with the Xilinx Vivado® Design Suite under the terms of the [Xilinx End User License](#).

Product Specification

Standards

The MDM core adheres to the AMBA® AXI4 and AXI4-Lite Interface standard (see *AMBA AXI and ACE Protocol Specification* ([ARM IHI0022E](#)))

The MDM core adheres to the AMBA AXI4-Stream Interface standard (see *AMBA AXI4-Stream Protocol Specification* ([ARM IHI 0051A](#)))

Performance and Resource Utilization

For full details about performance and resource use, visit [Performance and Resource Utilization](#).

Port Descriptions

The I/O signals for the MDM core are listed and described in the following tables.

Table 1: System Signals

Signal Name	Interface	I/O	Initial State	Description
Interrupt		O	0	Interrupt from UART
Debug_SYS_Rst		O	0	Debug system reset
Ext_BRK		O	0	External break
Ext_NM_BRK		O	0	External non-maskable break

AXI4-Lite Slave Interface Signals

Table 2: AXI4-Lite Slave Interface Signals (C_DBG_REG_ACCESS = 1)

Signal Name	Interface	I/O	Initial State	Description
S_AXI_ACLK	S_AXI	I	-	AXI Clock
S_AXI_ARESETN		I	-	AXI Reset, active-Low
S_AXI_AWADDR[C_S_AXI_ADDR_WIDTH-1:0]		I	-	Write Address
S_AXI_AWVALID		I	-	Write Address Valid
S_AXI_AWREADY		O	0	Write Address Ready
S_AXI_WDATA[C_S_AXI_DATA_WIDTH-1:0]		I	-	Write Data
S_AXI_WSTB[C_S_AXI_DATA_WIDTH/8-1:0]		I	-	Write Strobes
S_AXI_WVALID		I	-	Write Valid
S_AXI_WREADY		O	0	Write Ready
S_AXI_BRESP[1:0]		O	0x0	Write Response
S_AXI_BVALID		O	0	Write Response Valid
S_AXI_BREADY		I	-	Write Response Ready
S_AXI_ARADDR[C_S_AXI_ADDR_WIDTH-1:0]		I	-	Read Address
S_AXI_ARVALID		I	-	Read Address Valid
S_AXI_ARREADY		O	0	Read Address Ready
S_AXI_RDATA[C_S_AXI_DATA_WIDTH-1:0]		I	-	Read Data
S_AXI_RRESP[1:0]		O	0x0	Read Response
S_AXI_RVALID		O	0	Read Valid
S_AXI_RREADY		I	-	Read Ready

AXI4 Master Interface Signals

Table 3: AXI4 Master I/F Signals (C_DBG_MEM_ACCESS=1 or C_TRACE_OUTPUT=3)

Signal Name	Interface	I/O	Initial State	Description
M_AXI_ACLK	M_AXI	I	-	AXI Clock
M_AXI_ARESETN		I	-	AXI Reset, active-Low
M_AXI_AWID[C_M_AXI_THREAD_ID_WIDTH-1:0]		O	0x0	Write Address ID
M_AXI_AWADDR[C_M_AXI_ADDR_WIDTH-1:0]		O	0x0	Write Address
M_AXI_AWLEN[7:0]		O	0x0	Write Address Length
M_AXI_AWSIZE[2:0]		O	0x2	Write Address Size
M_AXI_AWBURST[1:0]		O	0x1	Write Address Burst
M_AXI_AWLOCK		O	0	Write Address Lock
M_AXI_AWCACHE[3:0]		O	0x3	Write Address Cache
M_AXI_AWPROT[2:0]		O	0x2	Write Address Protection
M_AXI_AWQOS[3:0]		O	0x0	Write Address QoS
M_AXI_AWVALID		O	0	Write Address Valid
M_AXI_AWREADY		I	-	Write Address Ready

Table 3: AXI4 Master I/F Signals (C_DBG_MEM_ACCESS=1 or C_TRACE_OUTPUT=3)
(cont'd)

Signal Name	Interface	I/O	Initial State	Description
M_AXI_WDATA[C_M_AXI_DATA_WIDTH-1:0]	M_AXI	O	0x0	Write Data
M_AXI_WSTRB[C_M_AXI_DATA_WIDTH/8-1:0]		O	0x0	Write Strobes
M_AXI_WLAST		O	0	Write Last
M_AXI_WVALID		O	0	Write Valid
M_AXI_WREADY		I	-	Write Ready
M_AXI_BRESP[1:0]		I	-	Write Response
M_AXI_BID[C_M_AXI_THREAD_ID_WIDTH-1:0]		I	-	Write Response ID
M_AXI_BVALID		I	-	Write Response Valid
M_AXI_BREADY		O	0	Write Response Ready
M_AXI_ARID[C_M_AXI_THREAD_ID_WIDTH-1:0]		O	0x0	Read Address ID
M_AXI_ARADDR[C_M_AXI_ADDR_WIDTH-1:0]		O	0x0	Read Address
M_AXI_ARLEN[7:0]		O	0x0	Read Address Length
M_AXI_ARSIZE[2:0]		O	0x0	Read Address Size
M_AXI_ARBURST[1:0]		O	0x1	Read Address Burst
M_AXI_ARLOCK		O	0	Read Address Lock
M_AXI_ARCACHE[3:0]		O	0x3	Read Address Cache
M_AXI_ARPROT[2:0]		O	0x2	Read Address Protection
M_AXI_ARQOS[3:0]		O	0x0	Read Address QoS
M_AXI_ARVALID		O	0	Read Address Valid
M_AXI_ARREADY		I	-	Read Address Ready
M_AXI_RID[C_M_AXI_THREAD_ID_WIDTH-1:0]		I	-	Read ID
M_AXI_RDATA[C_M_AXI_DATA_WIDTH-1:0]		I	-	Read Data
M_AXI_RRESP[1:0]		I	-	Read Response
M_AXI_RLAST		I	-	Read Last
M_AXI_RVALID		I	-	Read Valid
M_AXI_RREADY		O	0	Read Ready

LMB Master Interface Signals

Table 4: LMB Master I/F Signals (C_DBG_MEM_ACCESS = 1, n = 0-31)

Signal Name	Interface	I/O	Initial State	Description
LMB_Data_Addr_n[0:C_ADDR_SIZE-1]	LMB_n	O	0x0	Data Address
LMB_Data_Read_n[0:C_DATA_SIZE-1]		I	-	Data Read Bus
LMB_Data_Write_n[0:C_DATA_SIZE-1]		O	0x0	Data Write Bus
LMB_Addr_Strobe_n		O	0	Address Strobe
LMB_Read_Strobe_n		O	0	Read Strobe
LMB_Write_Strobe_n		O	0	Write Strobe
LMB_Ready_n		I	-	Ready
LMB_Wait_n	LMB_n	I	-	Wait
LMB_CE_n		I	-	Correctable Error
LMB_UE_n		I	-	Uncorrectable Error
LMB_Byte_Enable_n[0:(C_DATA_SIZE-1)/8]		O	0x0	Byte Enable

MicroBlaze Serial Debug Interface Signals

Table 5: MicroBlaze Serial Debug I/F Signals (n=0-31, C_DEBUG_INTERFACE=0)

Signal Name	Interface	I/O	Initial State	Description
Dbg_Disable_n	MBDEBUG_n	O	1	MicroBlaze debug disable
Dbg_Clk_n		O	0	MicroBlaze Debug Clock
Dbg_TDI_n		O	0	MicroBlaze Debug TDI
Dbg_TDO_n		I	-	MicroBlaze debug TDO
Dbg_Reg_En_n		O	0	MicroBlaze debug register enable
Dbg_Capture_n		O	0	MicroBlaze debug capture
Dbg_Shift_n		O	0	MicroBlaze debug shift
Dbg_Update_n		O	0	MicroBlaze debug update

MicroBlaze Parallel Debug Interface Signals

Table 6: MicroBlaze Parallel Debug I/F Signals (n=0-31, C_DEBUG_INTERFACE>0)

Signal Name	Interface	I/O	Initial State	Description
Dbg_AWADDR_n	MBDEBUG_n MBDEBUG_AXI_n	O	0	MicroBlaze debug write address
Dbg_AWVALID_n		O	0	MicroBlaze debug write address valid
Dbg_AWREADY_n		I	-	MicroBlaze debug write address ready
Dbg_WDATA_n		O	0	MicroBlaze debug write data
Dbg_WVALID_n		O	0	MicroBlaze debug write data valid
Dbg_WREADY_n		I	-	MicroBlaze debug write data ready
Dbg_BRESP_n		I	-	MicroBlaze debug write response
Dbg_BVALID_n		I	-	MicroBlaze debug write response valid
Dbg_BREADY_n		O	0	MicroBlaze debug write response ready
Dbg_ARADDR_n		O	0	MicroBlaze debug read address
Dbg_ARVALID_n		O	0	MicroBlaze debug read address valid
Dbg_ARREADY_n		I	-	MicroBlaze debug read address ready
Dbg_RDATA_n		I	-	MicroBlaze debug read data
Dbg_RRESP_n		I	-	MicroBlaze debug read data response
Dbg_RVALID_n		I	-	MicroBlaze debug read data valid
Dbg_RREADY_n		O	0	MicroBlaze debug read data ready

MicroBlaze Other Debug Interface Signals

Table 7: MicroBlaze Other Debug I/F Signals (n=0-31, C_DEBUG_INTERFACE≠2)

Signal Name	Interface	I/O	Initial State	Description
Dbg_Disable_n	MBDEBUG_n	O	1	MicroBlaze debug disable
Dbg_Rst_n		O	0	MicroBlaze debug reset
Dbg_Trig_In_n		I	-	MicroBlaze debug trigger in
Dbg_Trig_Ack_In_n		I	-	MicroBlaze debug trigger acknowledge in
Dbg_Trig_Out_n		O	0	MicroBlaze debug trigger out
Dbg_Trig_Ack_Out_n		O	0	MicroBlaze debug trigger acknowledge out
Dbg_TrClk_n		O	0	MicroBlaze debug trace clock
Dbg_TrData_n		I	-	MicroBlaze debug trace data
Dbg_TrReady_n		O	0	MicroBlaze debug trace ready
Dbg_TrValid_n		I	-	MicroBlaze debug trace valid

External Cross Trigger Signals

Table 8: External Cross Trigger Signals (n = 0,1,2,3)

Signal Name	Interface	I/O	Initial State	Description
Trig_In_n	TRIGGER	I	-	Cross trigger inputs
Trig_Ack_In_n		O	0	Cross trigger input acknowledge
Trig_Out_n	TRIGGER	O	0	Cross trigger outputs
Trig_Ack_Out_n		I	-	Cross trigger output acknowledge

MicroBlaze Trace Core Interface Signals

Table 9: MicroBlaze Trace Core Interface Signals

Signal Name	Interface	I/O	Initial State	Description
Ext_JTAG_DRCK	XMTC	O	0	Connection to MicroBlaze trace core
Ext_JTAG_RESET		O	0	
Ext_JTAG_SEL		O	0	
Ext_JTAG_CAPTURE		O	0	
Ext_JTAG_SHIFT		O	0	
Ext_JTAG_UPDATE		O	0	
Ext_JTAG_TDI		O	0	
Ext_JTAG_TDO		I	-	

External BSCAN Interface Signals

Table 10: External BSCAN Interface Signals (C_USE_BSCAN = 2 or 4)

Signal Name	Interface	I/O	Initial State	Description
bscan_ext_tdi	BSCAN	I	-	Connection to external BSCAN or Debug Bridge
bscan_ext_reset		I	-	
bscan_ext_shift		I	-	
bscan_ext_update		I	-	
bscan_ext_capture		I	-	
bscan_ext_sel		I	-	
bscan_ext_drck		I	-	
bscan_ext_tdo		O	0	
bscan_ext_bscanid_en ¹		I	-	
bscan_ext_tck ¹		I	0	

Notes:

1. Only available when parameter C_BSCANID is not equal to 0.

AXI4-Stream Trace Output

Table 11: AXI4-Stream Trace Output (C_TRACE_OUTPUT = 2)

Signal Name	Interface	I/O	Initial State	Description
M_AXIS_TDATA[C_M_AXIS_DATA_WIDTH-1:0]	TRACE	O	-	Connection to external trace compatible with the Zynq Fabric Trace Monitor, FTM (see the <i>Zynq-7000 SoC Technical Reference Manual (UG585)</i>)
M_AXIS_TID[C_M_AXI_ID_WIDTH-1:0]		O	-	
M_AXIS_TVALID		O	-	
M_AXIS_TREADY		I	1	

External Trace Output

Table 12: External Trace Output (C_TRACE_OUTPUT = 1)

Signal Name	Interface	I/O	Initial State	Description
TRACE_DATA[C_TRACE_DATA_WIDTH-1:0]	TRACE	O	-	Connection to external trace equivalent to the Zynq Trace Packet Output, TPIU, port (see the <i>Zynq-7000 SoC Technical Reference Manual (UG585)</i>)
TRACE_CTL		O	-	
TRACE_CLK ¹		I	-	
TRACE_CLK_OUT ²		O	-	

Notes:

1. The nominal frequency of TRACE_CLK is 200 MHz. If another clock frequency is used, the parameter C_TRACE_CLK_FREQ_HZ is set from the connected input clock (by propagation in Vivado IP Integrator) if possible, but must otherwise be manually changed accordingly.
2. The frequency of TRACE_CLK_OUT is TRACE_CLK divided by 2, nominally 100 MHz with a 90° phase shift, to create a sample point at a stable point of the outputs. The phase shift can be adjusted manually with the parameter C_TRACE_CLK_OUT_PHASE if necessary.

Register Space

In the following tables, Access is indicated by R for read-only, W for write-only, and R/W for Read/Write.

AXI Slave Register Space

The following table describes the MDM core registers accessible through the AXI4-Lite slave interface.

Table 13: MDM Core AXI4-Lite Slave Registers

Register Name	Size (bits)	Address Offset	Access	Description
JTAG UART Registers (C_USE_UART = 1)				
UART_RX_FIFO	8	0x00	R	JTAG UART receive data
UART_TX_FIFO	8	0x04	W	JTAG UART transmit data
UART_STATUS	8	0x08	R	JTAG UART status
UART_CTRL	8	0x0C	W	JTAG UART control
Debug Register Access (C_DBG_REG_ACCESS = 1)				
DBG_STATUS	1	0x10	R	Debug register access status bit 0 - Access lock acquired
DBG_CTRL	20	0x10	W	Debug register access control
DBG_DATA	32	0x14	R/W	Debug register access data
DBG_LOCK	16	0x18	W	Debug register access lock
Parallel Debug Register Access (C_DBG_REG_ACCESS = 1, C_DEBUG_INTERFACE > 0)Read data or Write data				
PCCTRLR	8	0x5440	W	MicroBlaze Performance Counter Control
PCCMDR	5	0x5480	W	MicroBlaze Performance Counter Command
PCSR	2	0x54C0	R	MicroBlaze Performance Counter Status
PCDRR	32	0x5580	R	MicroBlazeRead data or Write Performance Counter Data Read
PCDWR	32	0x55C0	W	MicroBlaze Performance Counter Data Write
TCTRLR	22	0x5840	W	MicroBlaze Trace Control
TCMDR	4	0x5880	W	MicroBlaze Trace Command
TSR	18	0x58C0	R	MicroBlaze Trace Status
TDRR	18	0x5980	R	MicroBlaze Trace Data Read
PCTRLR	8	0x5C40	W	MicroBlaze Profiling Control
PLAR	30	0x5C80	W	MicroBlaze Profiling Low Address
PHAR	30	0x5CC0	W	MicroBlaze Profiling High Address

Table 13: MDM Core AXI4-Lite Slave Registers (cont'd)

Register Name	Size (bits)	Address Offset	Access	Description
PBAR	9-14	0x5D00	W	MicroBlaze Profiling Buffer Address
PDRR	36	0x5D80-0x5D84	R	MicroBlaze Profiling Data Read
PDWR	32	0x5DC0	W	MicroBlaze Profiling Data Write

The JTAG UART registers are identical to the AXI UART Lite registers (see the *AXI UART Lite LogiCORE IP Product Guide (PG142)*), except that the Status register bits 5–7 (OverrunError, Frame Error, Parity Error) are never set, and the Control register bit 2 is not reserved.

The Parallel Debug Access registers are MicroBlaze registers directly accessed through parallel debug interface (see the *MicroBlaze Processor Reference Guide (UG984)*). The MicroBlaze processors selected when accessing these registers are determined by the Which MicroBlaze Debug register.

The MDM core always responds to accesses within the defined address space. When Parallel Debug Register Access is enabled, the address space is 0x0000–0x7FFF; when Debug Register Access is enabled it is 0x00–0x1F; when JTAG UART is enabled it is 0x0–0xF. For any unused addresses, or when the Debug Register Access is locked, write requests are ignored and read requests return zero data.

UART Receive FIFO Register (UART_RX_FIFO)

This 16-entry-deep FIFO contains data received by the UART from JTAG. The FIFO bit definitions are shown in the following table. Reading this register results in reading the data word from the top of the FIFO. When a read request is issued to an empty FIFO, a bus error (SLVERR) is generated and the result is undefined. The register is a read-only register. Issuing a write request to the receive data FIFO does nothing but generates a successful write acknowledgment. The following table shows the location for data on the AXI slave interface. The register is only implemented if C_USE_UART is set to 1.

Reserved		UART_RX	
31	8	7	0

Table 15: UART Receive FIFO Register Bit Definitions

Bits	Name	Access	Reset Value	Description
31:8	-	R	0	Reserved
7:0	UART_RX	R	0	UART Receive Data

UART Transmit FIFO Register (UART_TX_FIFO)

This 16-entry-deep FIFO contains data to be output by the UART using JTAG. The FIFO bit definitions are shown in Table 17. Data to be transmitted is written into this register. When a write request is issued while the FIFO is full, a bus error (SLVERR) is generated and the data is not written into the FIFO. This is a write-only location. Issuing a read request to the transmit data FIFO generates the read acknowledgment with zero data. The following table shows the location for data on the AXI interface. The register is only implemented if C_USE_UART is set to 1.

Reserved		UART_TX	
31	8	7	0

Table 17: UART Transmit FIFO Register Bit Definitions

Bits	Name	Access	Reset Value	Description
31:8	-	R	0	Reserved
7:0	UART_TX	R	0	UART Transmit Data

UART Status Register (UART_STATUS)

The status register contains the status of the receive and transmit data FIFOs, and when interrupt is enabled. This is a read only register. If a write request is issued to the status register it will do nothing but generate write acknowledgment. Bit assignment in the register is described in the following tables. The register is only implemented if C_USE_UART is set to 1.

Reserved		UART_STATUS	
31	5	4	0

Table 19: UART Status Register Bit Definitions

Bits	Name	Access	Reset Value	Description
31-5	Reserved	N/A	0	Reserved
4	Interrupt Enabled	R	0	Indicates that interrupt is enabled. 0 = Interrupt is disabled 1 = Interrupt is enabled
3	TX FIFO Full	R	0	Indicates if the transmit FIFO is full. 0 = Transmit FIFO is not full 1 = Transmit FIFO is full
2	TX FIFO Empty	R	1	Indicates if the transmit FIFO is empty. 0 = Transmit FIFO is not empty 1 = Transmit FIFO is empty
1	RX FIFO Full	R	0	Indicates if the receive FIFO is full. 0 = Receive FIFO is not full 1 = Receive FIFO is full

Table 19: UART Status Register Bit Definitions (cont'd)

Bits	Name	Access	Reset Value	Description
0	RX FIFO Valid Data	R	0	Indicates if the receive FIFO has valid data. 0 = Receive FIFO is empty 1 = Receive FIFO has valid data

UART Control Register (UART_CTRL)

The control register contains the enable interrupt bit and reset for the receive and transmit data FIFO. This is write only register. Issuing a read request to the control register generates the read acknowledgment with zero data. Bit assignment in the register is described in the following tables. The register is only implemented if C_USE_UART is set to 1.

Reserved		UART_CTRL	
31	5	4	0

Table 21: UART Control Register Bit Definitions

Bits	Name	Access	Reset Value	Description
31-5	Reserved	N/A	0	Reserved
4	Interrupt Enabled	W	0	Enable interrupt for the MDM JTAG UART 0 = Disable interrupt signal 1 = Enable interrupt signal
3	Reserved	N/A	0	Reserved
2	Clear EXT_BRK signal	W	0	Clear the EXT_BRK signal set by JTAG 0 = Do nothing 1 = Clear the signal
1	Reset RX FIFO	W	1	Reset/clear the receive FIFO Writing a 1 to this bit position clears the receive FIFO 0 = Do nothing 1 = Clear the receive FIFO
0	Reset TX FIFO	W	1	Reset/clear the transmit FIFO Writing a 1 to this bit position clears the transmit FIFO 0 = Do nothing 1 = Clear the transmit FIFO

Debug Register Access Status Register (DBG_STATUS)

The status register contains the status of the access lock. This is a read only register. Bit assignment in the register is described in the following tables. The register is only implemented if C_DBG_REG_ACCESS is set to 1.

Reserved		LOCK
31	1	0

Table 23: Debug Register Access Status Register Bit Definitions

Bits	Name	Access	Reset Value	Description
31-1	Reserved	N/A	0	Reserved
0	Access Lock	R	0	Indicates the access lock status. 0 = The lock is not acquired 1 = The lock has been acquired by the JTAG interface

Debug Register Access Control Register (DBG_CTRL)

The control register is used to set up the debug register access by selecting the register bit size, register address (MDM command), whether an MDM or MicroBlaze™ register is accessed, and access locking. This is a write-only register. Issuing a read request to the control register generates the read acknowledgment with zero data. Writing to the register has no effect until unlocked using the DBG_LOCK register. Bit assignment in the register is described in the following tables. The register is only implemented if C_DBG_REG_ACCESS is set to 1.

Reserved		DBG_CTRL	
31	20	19	0

Table 25: Debug Register Access Control Register Bit Definitions

Bits	Name	Access	Reset Value	Description
31-20	Reserved	N/A	0	Reserved
19-18	Access Lock Type	W	00	Access lock type write: 00 = Release access lock to abort atomic sequence 01 = Lock before first data access and unlock after last 10 = Lock before first data access, otherwise keep lock 11 = Force lock acquisition, even if acquired by JTAG
17	Access MDM	W	0	Access MDM or MicroBlaze Debug register: 0 = MicroBlaze debug register access 1 = MDM debug register access
16-9	MDM Command	W	0	MDM command, see table: MDM Core User-Accessible Debug Registers.
8-0	Bit Size	W	0	Number of bits in the accessed debug register - 1

Debug Register Access Data Register (DBG_DATA)

The data register is used to read data from or write data to the debug register indicated by the DBG_CTRL register. Accessing the register has no effect until unlocked using the DBG_LOCK register. Bit assignment in the register is shown in the following table. The register is only implemented if C_DBG_REG_ACCESS is set to 1.

DBG_DATA	
31	0

Debug Register Access Locking Register (DBG_LOCK)

The lock register is used to unlock access to the AXI Debug register access registers DBG_CTRL and DBG_DATA by writing the magic value 0xebab. Writing any other value locks access. This is a write only register. Bit assignment in the register is shown in the following table. The register is only implemented if C_DBG_REG_ACCESS is set to 1.

Reserved		DBG_LOCK	
31	16	15	0

For details on how to use the Debug Register Access, see Debug Register Access Sequence.

MDM Core Interrupts

If the interrupt enable register bit in the JTAG UART control register is set, the UART raises the interrupt signal in the cycle when the TX FIFO goes empty, or in every cycle where the RX FIFO has data available.

Debug Register Space

The user-accessible MDM core Debug registers are listed and described in the table below. These registers are accessible using the Debug register access functionality. The values to write to the DBG_CTRL MDM register when accessing the MDM core debug registers are also listed in the table.

Additional MDM core commands are used to access MicroBlaze™ extended debug features, as defined in the *MicroBlaze Processor Reference Guide* ([UG984](#)).

All other MDM core commands are reserved for Xilinx internal use, to handle the JTAG debug protocol, including the JTAG UART and AXI Memory Access From Debug.

MDM Core User-Accessible Debug Registers

Table 28: MDM Core User-Accessible Debug Registers

Register Name	Size (bits)	MDM Command	DBG_CTRL Value	Access	Description
General					
MDM Configuration	32	00001100	0x6181F	R	The MDM configuration.
MDM Extended Configuration	35	00001100	0x61822	R	The MDM extended configuration.
Which MicroBlaze ¹	8-32	00001101	8: 0x61A07 9: 0x61A08 ... 32: 0x61A1F	W	Which MicroBlaze processors to access. This register has a variable bit size.
Cross Trigger Debug Registers (C_USE_CROSS_TRIGGER = 1)					
External Cross Trigger Control	10	01000000	0x68009	W	External cross trigger control register, used to set the trigger output source, and trigger input mask for each of the four triggers.
Cross Trigger Control	16	01000110	0x68C0F	W	Cross trigger control register used to set the trigger output source, trigger input mask, and logic function to combine inputs for each of the eight triggers.
Cross Trigger Status	24	01000010	0x68417	R	Cross trigger status register to read the current values of all trigger inputs and outputs.
External Trace Register (C_TRACE_OUTPUT = 1)					
External Trace Control	14	01001110	0x69C0D	W	External trace control register, used to control test pattern generation, and trigger output.
AXI4-Stream Trace Register (C_TRACE_OUTPUT = 2)					
AXI4-Stream Trace Control	8	01001110	0x69C07	W	AXI4-Stream trace control register, used to set delay between output packets.
AXI4-Master Trace Registers (C_TRACE_OUTPUT = 3)					
AXI4-Master Trace Status	3	01001010	0x69402	R	AXI4-Master trace status register, with buffer wrap and bus interface response status.
AXI4-Master Trace Current Address ²	32-64	01001011	0x6961F - 0x6963F	R	AXI4-Master trace current address register, with the current buffer address.
AXI4-Master Trace Low Address ³	16-48	01001100	0x6980F - 0x6982F	W	AXI4-Master trace low address register, used to define the buffer low address.
AXI4-Master Trace High Address ³	16-48	01001101	0x69A0F - 0x69A2F	W	AXI4-Master trace high address register, used to define the buffer high address.

Table 28: MDM Core User-Accessible Debug Registers (cont'd)

Register Name	Size (bits)	MDM Command	DBG_CTRL Value	Access	Description
AXI4-Master Trace Control	1	01001110	0x69C00	W	AXI4-Master trace control register, used to define buffer full behavior.

Notes:

1. 8 to 32 bits, depending on the number of connected MicroBlaze cores. For fewer than eight cores, the register is 8 bits.
2. The size is determined by the C_M_AXI_ADDR_WIDTH parameter.
3. The size is determined by the C_M_AXI_ADDR_WIDTH parameter subtracted by 16.

MDM Configuration Debug Register

This register contains the current MDM core configuration. This register is a read-only register. Issuing a write request to the register does nothing.

Magic	Res	Ext	UART	Width	Ports	Version
31 24	23	22	21	20 16	15 8	7 0

Table 30: MDM Configuration Debug Register Bit Definitions

Bits	Name	Access	Value	Description
31 - 24	Magic	R	0x42	Magic value 0x42
23	Reserved	R	1	Reserved
22	Extended	R	0, 1	Set to 1 if extended configuration register is available
21	UART	R	0, 1	Parameter C_USE_UART
20 - 16	Width	R	00111	JTAG UART character width - 1, 8 bit characters
15 - 8	Ports	R	1-32	Parameter C_MB_DBG_PORTS
7 - 0	Version	R	0x67	Version of MDM and JTAG UART protocol

MDM Extended Configuration Debug Register

This register contains the current extended MDM core configuration. This register is a read-only register. Issuing a write request to the register does nothing. The register is only available if the MDM Configuration Debug register bit 22 is set.

AS	TP	TO	CT	RA	MA	Magic	Res	Ext	UART	Width	Ports	Version
43 38	37	36 35	34	33	32	31 24	23	22	21	20 16	15 8	7 0

Table 32: MDM Extended Configuration Debug Register Bit Definitions

Bits	Name	Access	Value	Description
43 - 38	Address Size	R	0 - 32	C_M_AXI_ADDR_WIDTH - 32
37	Trace Protocol	R	0,1	Parameter C_TRACE_PROTOCOL
36 - 35	Trace Output	R	0,1,2,3	Parameter C_TRACE_OUTPUT
34	Cross Trigger	R	0, 1	Parameter C_USE_CROSS_TRIGGER
33	Register Access	R	0, 1	Parameter C_DBG_REG_ACCESS
32	Memory Access	R	0, 1	Parameter C_DBG_MEM_ACCESS
31 - 0	N/A	R	N/A	See table: MDM Configuration Debug Register Bit Definitions.

Which MicroBlaze Debug Register

This register defines which MicroBlaze™ processor or processors are accessed. This register is a write-only register. Issuing a read request has no effect, and undefined data is read.

It is possible to write to the debug registers of more than one processor simultaneously, by setting more than one bit in this register. When reading from a debug register, only one bit must be set in this register, otherwise read data is undefined.

The register bit size is variable, and depends on the C_MB_DBG_PORTS parameter:

- When C_MB_DBG_PORTS set to 1, the register is not used, and the only connected processor is always accessed.
- When C_MB_DBG_PORTS ranges from 2 to 8, the register has 8 bits
- When C_MB_DBG_PORTS is greater than 8, the register has the same number of bits as the parameter

The processors are defined from the right in the register according to the following table.

31	8	7	0
----	---	---	---

Table 34: Which MicroBlaze Debug Register Bit Definitions

C_MB_DBG_PORTS	Bits	Access	Reset Value	Description
2	1 - 0	W	0	Bit 0 = Access processor number 0 Bit 1 = Access processor number 1
3	2 - 0	W	0	Bit 0 = Access processor number 0 Bit 1 = Access processor number 1 Bit 2 = Access processor number 2
...

Table 34: Which MicroBlaze Debug Register Bit Definitions (cont'd)

C_MB_DBG_PORTS	Bits	Access	Reset Value	Description
8	7 - 0	W	0	Bit 0 = Access processor number 0 ... Bit 7 = Access processor number 7
8 - 32	(n-1) - 0	W	0	Bit 0 = Access processor number 0 ... Bit n-1 = Access processor number n-1

External Cross Trigger Control Debug Register

This register defines the trigger source for each of the four external trigger outputs, and the mask for each of the four external trigger inputs. This register is a write-only register. It is only available when the `C_USE_CROSS_TRIGGER` parameter is set. Issuing a read request has no effect, and undefined data is read.

The reset values of Input Mask and Output Select for each trigger are defined by the parameter `C_EXT_TRIG_RESET_VALUE`:

- Bits 19-16: Input Mask
- Bits 15-12: External Trigger 0 Output Select
- Bits 11-8: External Trigger 1 Output Select
- Bits 7-4: External Trigger 2 Output Select
- Bits 3-0: External Trigger 3 Output Select

Reserved		External Trigger	
31	10	9	0

Table 36: External Cross Trigger Control Debug Register Bit Definitions

Bits	Name	Access	Reset Value	Description
31 - 10	Reserved	N/A	0	Reserved
9 - 6	Output Select	W	See Notes ¹	Trigger output source for the selected external trigger output, according to ().
5 - 2	Input Mask	W	See Notes ¹	Mask bits for each external trigger input for the selected trigger output. Bits with value 0 do not affect the output. Bit 5 = External trigger input 0 ... Bit 2 = External trigger input 3

Table 36: External Cross Trigger Control Debug Register Bit Definitions (cont'd)

Bits	Name	Access	Reset Value	Description
1 - 0	Index	W	00	Selected external trigger output to change: 00 = External Trigger 0 01 = External Trigger 1 10 = External Trigger 2 11 = External Trigger 3

Notes:

- The default reset value is defined by the parameter C_EXT_TRIG_RESET_VALUE to set Input Mask to 1111 and Output Select to 1 for External Trigger 0, 2 for External Trigger 1, 3 for External Trigger 2 and 4 for External Trigger 3.

Cross Trigger Control Debug Register

This register defines trigger source for each of the eight trigger outputs, and the mask for each of the eight trigger inputs. This register is a write-only register. Issuing a read request has no effect, and undefined data is read.

Writing the register affects the cross trigger outputs of the MicroBlaze™ processor or processors selected by the [Which MicroBlaze Debug Register](#).

See the *MicroBlaze Processor Reference Guide (UG984)* for the definition of the eight MicroBlaze trigger inputs and outputs.

Reserved	Trigger
31	15
16	0

Table 38: Cross Trigger Control Debug Register Bit Definitions

Bits	Name	Access	Reset Value	Description
31 - 16	Reserved	N/A	0	Reserved
15 - 12	Output Select	W	See Notes ¹	Trigger output source for the selected MicroBlaze trigger output, according to the following table
11 - 4	Input Mask	W	11111111	Mask bits for each MicroBlaze trigger input for the selected trigger output. Bits with value 0 do not affect the output. Bit 11 = MicroBlaze Trigger input 0 ... Bit 4 = MicroBlaze Trigger input 7
3	And/Or	W	0	Logic function to combine inputs: 0 = Logic or, triggers if any input is set 1 = Logic and, triggers only if all inputs are set

Table 38: Cross Trigger Control Debug Register Bit Definitions (cont'd)

Bits	Name	Access	Reset Value	Description
2 - 0	Index	W	000	Selected MicroBlaze trigger output to change: 000 = MicroBlaze Trigger output 0 ... 111 = MicroBlaze Trigger output 7

Notes:

- The reset value is 9 for Trigger 0, 10 for Trigger 1, 11 for Trigger 2, 12 for Trigger 3, and 13 for Triggers 4-7

Table 39: Cross Trigger Output Select Field Definition

Field Value	Name	Description
0000	Static One	Static one, no input selected
0001 - 1000	Trigger Input	0001 = Select MicroBlaze Trigger Input 0 ... 1000 = Select MicroBlaze Trigger Input 7
1001 - 1100	External Trigger Input	1001 = Select External Trigger Input 0 ... 1100 = Select External Trigger Input 3
1101	Static Zero	Static zero, no input selected
1110 - 1111	Reserved	Reserved

Cross Trigger Status Debug Register

This register contains the current trigger input and output values. This register is a read-only register. Issuing a write request to the register does nothing.

The MicroBlaze™ cross trigger status (bits 0 to 15) represents the MicroBlaze processor selected by the [Which MicroBlaze Debug Register](#). If more than one processor is selected, the result is undefined.

Reserved	Trigger Status		
31	24	23	0

Table 41: Cross Trigger Status Debug Register Bit Definitions

Bits	Name	Access	Description
31 - 24	Reserved	N/A	Reserved
23 - 16	Trigger Outputs	R	Current selected MicroBlaze processor trigger output values. Bit 23 = Trigger 0 ... Bit 16 = Trigger 7

Table 41: Cross Trigger Status Debug Register Bit Definitions (cont'd)

Bits	Name	Access	Description
15 - 8	Trigger Inputs	R	Current selected MicroBlaze processor trigger input values. Bit 15 = Trigger 0 ... Bit 8 = Trigger 7
7 - 4	External Trigger Outputs	R	Current external trigger input values. Bit 7 = External Trigger Output 0 ... Bit 4 = External Trigger Output 3
3 - 0	External Trigger Inputs	R	Current external trigger input values. Bit 3 = External Trigger Input 0 ... Bit 0 = External Trigger Input 3

External Trace Control Debug Register

This register defines and starts continuous or timed test pattern generation, as well as defines direct or delayed trigger outputs on trace start and/or stop events. This register is a write-only register. Issuing a read request has no effect, and undefined data is read.

A trigger is encoded by setting TRACE_CTL = 1 and TRACE_DATA[1:0] = 10.

Reserved	Test Pattern Select Trigger Enable	TPT	TPC	Test Pattern Repeat Trigger Delay			
31	14	13	10	9	8	7	0

Table 43: External Trace Control Debug Register Bit Definitions

Bits	Name	Access	Reset Value	Description
31 - 14	Reserved	N/A	0	Reserved
13	W1, STO	W	0	Generate walking-ones test pattern, either for a duration defined by TPR when the TPT bit is set, or continuously when the TPC bit is set. Output a trigger when trace is stopped in any processor.
12	W0, DSTO	W	0	Generate walking-zeros test pattern, either for a duration defined by TPR when the TPT bit is set, or continuously when the TPC bit is set. Output a trigger when trace is stopped after the delay defined by TD in any processor.
11	A5, STA	W	0	Generate AA/55 test pattern, either for a duration defined by TPR when the TPT bit is set, or continuously when the TPC bit is set. Output a trigger when trace is started in any processor.

Table 43: External Trace Control Debug Register Bit Definitions (cont'd)

Bits	Name	Access	Reset Value	Description
10	F0, DSTA	W	0	Generate FF/00 test pattern, either for a duration defined by TPR when the TPT bit is set, or continuously when the TPC bit is set. Output a trigger when trace is started after the delay defined by TD in any processor.
9	TPT	W	0	Generate timed test patterns for the duration defined by TPR, for the defined patterns W1, W0, A5, and F0 in sequence. One or more of the W1, W0, A5, and F0 bits must be set.
8	TPC	W	0	Generate a continuous test pattern, either the pattern W1, W0, A5, or F0. Only one of the W1, W0, A5, and F0 bits must be set.
7 - 0	TPR, TD	W	0x00	Defines a test pattern duration for timed test patterns in TRACE_CLK clock cycles, 0 - 255. Defines trigger delay for DSTOP and DSTA triggers in 256 TRACE_CLK clock cycle intervals, 0, 256, 512, ..., 65280.

AXI4-Stream Trace Control Debug Register

This register defines a delay in `M_AXIS_ACLK` clock cycles after each output packet. This register is a write-only register. Issuing a read request has no effect, and undefined data is read.

This delay is primarily intended to avoid downstream FIFO overflow, which can occur for AXI4-Stream connections that do not implement a ready signal, such as the Zynq® Fabric Trace Monitor interface (see the *Zynq-7000 SoC Technical Reference Manual (UG585)*).

Reserved		Packet Delay	
31	8	7	0

Table 45: AXI4-Stream Trace Control Debug Register Bit Definitions

Bits	Name	Access	Reset Value	Description
31 - 8	Reserved	N/A	0	Reserved
7 - 0	Packet Delay	W	0x00	Delay in <code>M_AXIS_ACLK</code> clock cycles between each word in the output packet, 0 - 255.

AXI4-Master Trace Status Debug Register

This register defines whether trace has wrapped when the external memory buffer is full, and whether an AXI4-Master write has failed with a non-zero response. This register is a read-only register. Issuing a write request has no effect.

The status is cleared by writing to the AXI4-Master Trace Control Debug register.

Reserved			Wrap	Response
31	3	2	1	0

Table 47: AXI4-Master Trace Status Debug Register Bit Definitions

Bits	Name	Access	Reset Value	Description
31 - 3	Reserved	N/A	0	Reserved
2	Wrap	R	0	This bit indicates if the current address has wrapped around.
1 - 0	Response	R	00	The AXI4-Master write response, M_AXI_BRESP. The response is sticky - as soon as a non-zero response has occurred, the bits remain set.

AXI4-Master Trace Current Address Debug Register

This register defines the first free location in the AXI4-Master external memory buffer. The register is incremented by 0×50 (20 32-bit words) for every trace packet written to the external memory buffer. This register is a read-only register. Issuing a write request has no effect.

If the FS bit is cleared in the AXI4-Master Trace Control Debug register, the current address will wrap around to the low address, defined by the AXI4-Master Trace Buffer Low Address, when it would have incremented past the high address, defined by the AXI4-Master Trace Buffer High Address.

The current address is reset to the low address, defined by the AXI4-Master Trace Buffer Low Address, by writing to the AXI4-Master Trace Control Debug register.

Current Address	
C_M_AXI_ADDR_WIDTH - 1	0

Table 49: AXI4-Stream Trace Control Debug Register Bit Definitions

Bits	Name	Access	Reset Value	Description
N:0	Current Address	R	0x0	AXI4-Master current address of memory trace buffer. This is the full address of the first free location in the buffer. N = C_M_AXI_ADDR_WIDTH-1

AXI4-Master Trace Buffer Low Address Debug Register

This register defines the AXI4-Master low address of the external trace memory buffer, with a 64KB granularity. This register is a write-only register. Issuing a read request has no effect, and undefined data is read.

Reserved		Low Address	
C_M_AXI_ADDR_WIDTH - 1	C_M_AXI_ADDR_WIDTH-17		0

Table 51: AXI4-Master Trace Buffer Low Address Debug Register Bit Definitions

Bits	Name	Access	Reset Value	Description
N:N-16	Reserved	N/A	0	Reserved N = C_M_AXI_ADDR_WIDTH - 1
N-17:0	Low Address	W	0x0000	AXI4-Master low address of memory trace buffer. This is the 16-48 most significant bits of the address. N = C_M_AXI_ADDR_WIDTH - 1

AXI4-Master Trace Buffer High Address Debug Register

This register defines the AXI4-Master high address of the external trace memory buffer, with a 64KB granularity. This register is a write-only register. Issuing a read request has no effect, and undefined data is read.

Reserved	High Address
C_M_AXI_ADDR_WIDTH - 1	C_M_AXI_ADDR_WIDTH - 17 0

Table 53: AXI4-Master Trace Buffer High Address Debug Register Bit Definitions

Bits	Name	Access	Reset Value	Description
N:N-16	Reserved	N/A	0	Reserved N = C_M_AXI_ADDR_WIDTH - 1
N-17:0	High Address	W	0x0000	AXI4-Master high address of memory trace buffer. This is the 16-48 most significant bits of the address. N = C_M_AXI_ADDR_WIDTH - 1

AXI4-Master Trace Control Debug Register

This register defines whether trace is stopped when the external memory buffer is full. This register is a write-only register. Issuing a read request has no effect, and undefined data is read.

The effect of setting the FS bit to one is that the current address will not wrap, and trace data will not be stored beyond the end of the memory buffer. This results in keeping the oldest trace data.

The effect of clearing the FS bit to zero is that the current address will wrap, the status register Wrap bit will be set, and the most recent trace data will be available, discarding older data, when the memory buffer becomes full.

Reserved	FS
31	1 0

Table 55: AXI4-Master Trace Control Debug Register Bit Definitions

Bits	Name	Access	Reset Value	Description
31 - 1	Reserved	N/A	0	Reserved
0	Full Stop	W	0	When this bit is set to 1, trace will stop when the external memory trace buffer is full, i.e. when the next packed would cause the current address to be incremented past the buffer high address.

Trace Packet Definition

When the MDM trace functionality is used by setting `C_TRACE_OUTPUT` to 1 (External), 2 (AXI4-Stream) or 3 (AXI4-Master), the trace data from all connected MicroBlaze™ processors with External Trace enabled is output on the selected output interface.

External Trace and AXI4-Master Trace Packets

The trace packets for External and AXI4-Master trace output are identical, and conform to the Arm® formatter frame structure as defined in the Arm CoreSight™ Architecture Specification.

There are two packet encodings:

- Default, selected when `C_TRACE_PROTOCOL` is 0
- Alternate, selected when `C_TRACE_PROTOCOL` is 1

With the default encoding, the frame ID is used to indicate which MicroBlaze™ processor and MDM core has generated a specific packet. The 8-bit ID is created by concatenating `C_JTAG_CHAIN` (1-4, 3 bits) with the MicroBlaze processor index (0-31, 5 bits).

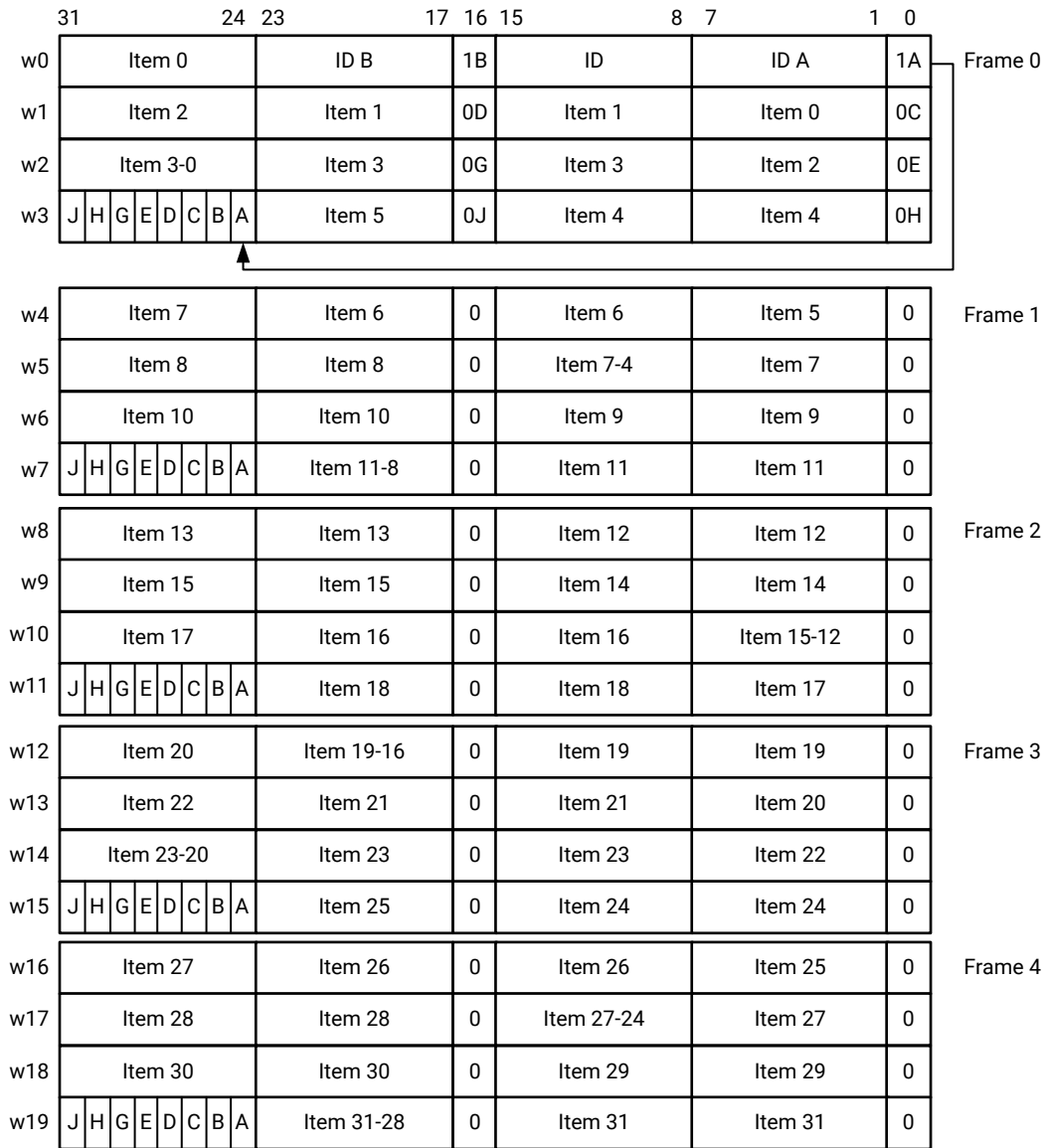
The alternate protocol first frame ID (ID A) is set to the value of parameter `C_TRACE_ID`, and is followed by a single 8-bit value identical to the default protocol frame ID. The alternate protocol second frame ID (ID B) is set to the value of parameter `C_TRACE_ID + 1`, and is followed by the trace packet data.

Each packet transmits 32 18-bit trace items, and consists of 20 32-bit words, or five frames. The default packet encoding, when `C_TRACE_PROTOCOL` is 0 is illustrated in the following table and figure. The alternate packet encoding, when `C_TRACE_PROTOCOL` is 1, is shown in the subsequent table and figure.

Table 56: External Trace and AXI4-Master Default Trace Packet Encoding

Trace Item	Packet Word (w) and Bits	Trace Item	Packet Word (w) and Bits
0	w2[9:8], w0[23:17], w3[25], w0[15:8]	16	w12[9:8], w10[15:1], w11[28]
1	w2[11:10], w1[7:1], w3[26], w0[31:24]	17	w12[11:10], w10[31:17], w11[29]
2	w2[13:12], w1[23:17], w3[27], w1[15:8]	18	w12[13:12], w11[15:1], w11[30]
3	w2[15:14], w2[7:1], w3[28], w1[31:24]	19	w12[15:14], w12[7:1], w15[24], w11[23:17], w11[31]
4	w4[25:24], w2[31:17], w3[29]	20	w14[17], w15[29], w12[31:17], w15[25]
5	w4[27:26], w3[15:1], w3[30]	21	w14[19:18], w13[15:1], w15[26]
6	w4[29:28], w4[7:1], w7[24], w3[23:17], w3[31]	22	w14[21:20], w13[31:17], w15[27]
7	w4[31:30], w4[23:17], w7[25], w4[15:8]	23	w14[23:22], w14[15:1], w15[28]
8	w7[1], w7[30], w5[15:1], w7[26]	24	w17[9:8], w15[7:1], w15[30], w14[31:24]
9	w7[3:2], w5[31:17], w7[27]	25	w17[11:10], w15[23:17], w15[31], w15[15:8]
10	w7[5:4], w6[15:1], w7[28]	26	w17[13:12], w16[23:17], w19[25], w16[15:8]
11	w7[7:6], w6[31:17], w7[29]	27	w17[15:14], w17[7:1], w19[26], w16[31:24]
12	w9[25:24], w7[23:17], w7[31], w7[15:8]	28	w19[17], w19[31], w17[31:17], w19[27]
13	w9[27:26], w8[23:17], w11[25], w8[15:8]	29	w19[19:18], w18[15:1], w19[28]
14	w9[29:28], w9[7:1], w11[26], w8[31:24]	30	w19[21:20], w18[31:17], w19[29]
15	w9[31:30], w9[23:17], w11[27], w9[15:8]	31	w19[23:22], w19[15:1], w19[30]

Figure 2: External Trace and AXI4-Master Default Trace Packet Structure

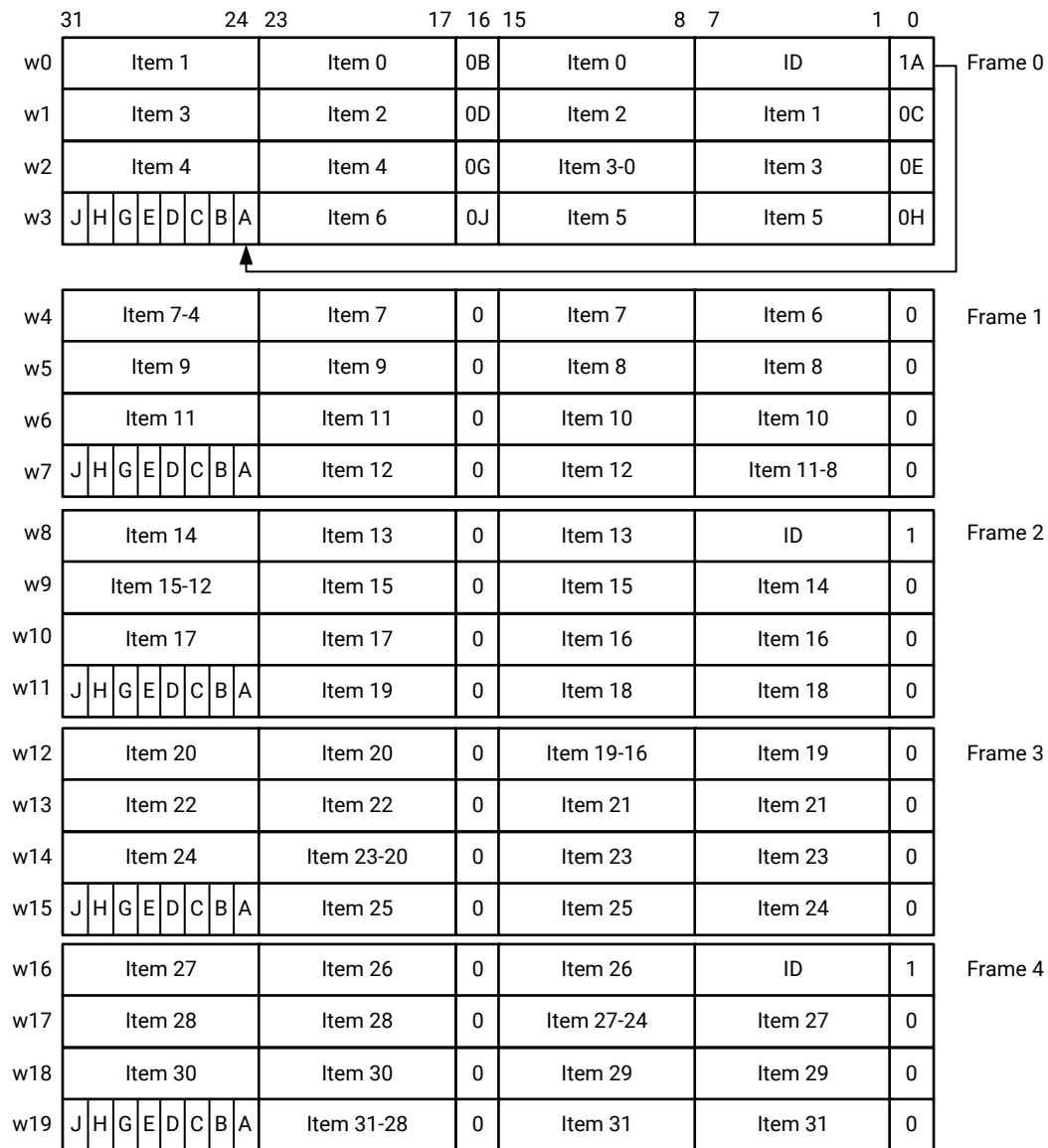


X22569-032519

Table 57: Alternate Trace Packet Encoding

Trace Item	Packet Word (w) and Bits	Trace Item	Packet Word (w) and Bits
0	w2[25:24], w1[7:1], w3[26], w0[31:24]	16	w12[17], w15[25], w11[23:17], w11[29], w10[15:8]
1	w2[27:26], w1[23:17], w3[27], w1[15:8]	17	w12[19:18], w11[7:1], w11[30], w10[31:24]
2	w2[29:28], w2[7:1], w3[28], w1[31:24]	18	w12[21:20], w11[23:17], w11[31], w11[15:8]
3	w2[31:30], w2[23:17], w3[29], w2[15:8]	19	w12[23:22], w12[15:1], w15[24]
4	w5[9:8], w3[15:1], w3[30]	20	w14[25:24], w13[7:1], w15[26], w12[31:24]
5	w5[11:10], w4[7:1], w7[24], w3[23:17], w3[31]	21	w14[27:26], w13[23:17], w15[27], w13[15:8]
6	w5[13:12], w4[23:17], w7[25], w4[15:8]	22	w14[29:28], w14[7:1], w15[28], w13[31:24]
7	w5[15:14], w5[7:1], w7[26], w4[31:24]	23	w14[31:30], w15[29], w14[15:8]
8	w7[17], w7[31], w5[31:17], w7[27]	24	w17[9:8], w15[15:1], w15[30]
9	w7[19:18], w5[15:1], w7[28]	25	w17[11:10], w16[7:1], w19[24], w15[23:17], w15[31]
10	w7[21:20], w6[31:17], w7[29]	26	w17[13:12], w16[23:17], w19[25], w16[15:8]
11	w7[23:22], w7[15:1], w7[30]	27	w17[15:14], w17[7:1], w19[26], w16[31:24]
12	w10[1], w11[28], w8[15:1], w11[24]	28	w19[17], w19[31], w17[31:17], w19[27]
13	w10[3:2], w8[31:17], w11[25]	29	w19[19:18], w18[15:1], w19[28]
14	w10[5:4], w9[15:1], w11[26]	30	w19[21:20], w18[31:17], w19[29]
15	w10[7:6], w9[31:17], w11[27]	31	w19[23:22], w19[15:1], w19[30]

Figure 3: Alternate Trace Packet Structure



X22571-032519

AXI4-Stream Trace Packets

The trace packets for AXI4-Stream are intended to be further processed, in particular by the Zynq TPIU (see the *Zynq-7000 SoC Technical Reference Manual (UG585)*). The `M_AXIS_TID` signals are used to indicate which MicroBlaze processor has generated a specific packet. Each packet transmits 32 18-bit trace items, and consists of 18 32-bit words. The default packet encoding, when `C_TRACE_PROTOCOL` is 0, is illustrated in the following table. The AXI4-Stream also supports the alternate trace protocol, when `C_TRACE_PROTOCOL` is 1.

Table 58: AXI4-Stream Default Trace Packet Encoding

Trace Item	Packet Word (w) and Bits	Trace Item	Packet Word (w) and Bits
0	w2[1:0], w0[15:0]	16	w11[1:0], w9[15:0]
1	w2[3:2], w0[31:16]	17	w11[3:2], w9[31:16]
2	w2[5:4], w1[15:0]	18	w11[5:4], w10[15:0]
3	w2[7:6], w1[31:16]	19	w11[7:6], w10[31:16]
4	w4[9:8], w2[23:8]	20	w13[9:8], w11[23:8]
5	w4[11:10], w3[7:0], w2[31:24]	21	w13[11:10], w12[7:0], w11[31:24]
6	w4[13:12], w3[23:8]	22	w13[13:12], w12[23:8]
7	w4[15:14], w4[7:0], w3[31:24]	23	w13[15:14], w13[7:0], w12[31:24]
8	w6[17:16], w4[31:16]	24	w15[17:16], w13[31:16]
9	w6[19:18], w5[15:0]	25	w15[19:18], w14[15:0]
10	w6[21:20], w5[31:16]	26	w15[21:20], w14[31:16]
11	w6[23:22], w6[15:0]	27	w15[23:22], w15[15:0]
12	w8[25:24], w7[7:0], w6[31:24]	28	w17[25:24], w16[7:0], w15[31:24]
13	w8[27:26], w7[23:8]	29	w17[27:26], w16[23:8]
14	w8[29:28], w8[7:0], w7[31:24]	30	w17[29:28], w17[7:0], w16[31:24]
15	w8[31:30], w8[23:8]	31	w17[31:30], w17[23:8]

Figure 4: AXI4-Stream Default Trace Packet Structure

	31	24 23	17 15	8 7	0
w0	Item 1	Item 1	Item 0	Item 0	
w1	Item 3	Item 3	Item 2	Item 2	
w2	Item 5	Item 4	Item 4	Item 3-0	
w3	Item 7	Item 6	Item 6	Item 5	
w4	Item 8	Item 8	Item 7-4	Item 7	
w5	Item 10	Item 10	Item 9	Item 9	
w6	Item 12	Item 11-8	Item 11	Item 11	
w7	Item 14	Item 13	Item 13	Item 12	
w8	Item 15-12	Item 15	Item 15	Item 14	
w9	Item 17	Item 17	Item 16	Item 16	
w10	Item 19	Item 19	Item 18	Item 18	
w11	Item 21	Item 20	Item 20	Item 19-16	
w12	Item 23	Item 22	Item 22	Item 21	
w13	Item 24	Item 24	Item 23-20	Item 23	
w14	Item 26	Item 26	Item 25	Item 25	
w15	Item 28	Item 27-24	Item 27	Item 27	
w16	Item 30	Item 29	Item 29	Item 28	
w17	Item 31-28	Item 31	Item 31	Item 30	

X22570-032519

Designing with the Core

This section includes guidelines and additional information to facilitate designing with the core.

General Design Guidelines

Multiprocessor Designs

The MicroBlaze™ Debug Module supports multiple MicroBlaze™ cores, making it possible to use one MDM core for multiprocessor systems with up to 32 processors.

In general, when using internal BSCAN it is recommended to use a single MDM core for all processors. The reason for this is that each additional MDM core has to use a separate JTAG user-defined register. Because there are only four such registers available, with USER 1 usually reserved for hardware debug, it is a limited resource. Furthermore, the Xilinx® System Debugger (XSDB) command line only detects the MDM core connected to USER 2 by default, and needs to be configured to detect additional MDM cores. (See *Vivado Design Suite User Guide: Programming and Debugging* (UG908)) for details.

When implementing a MicroBlaze™ multiprocessor design in Vivado using Block Automation, all processors are automatically connected to the same MDM core. (See *Vivado Design Suite User Guide: Embedded Processor Hardware Design* (UG898)) for details)

Discrete Outputs

The MDM core outputs, `Ext_BRK` and `Ext_NM_BRK` are not currently used, and need not be connected to MicroBlaze™.

When using the JTAG-based UART, the MDM core Interrupt output can be connected to an interrupt controller to provide interrupt-driven serial output. If this signal is not connected, only polled-mode serial output is available.

Memory Access

When using the JTAG memory access, the AXI4 Master should be connected to access the system memory accessible by the connected MicroBlaze™ cores, usually through the processor cache interfaces M_AXI_DC and M_AXI_IC. Depending on the AXI interconnect topology, this might exclude peripheral I/O accessed through the processor peripheral interface M_AXI_DP. The LMB Master ports should be connected to access the LMB local memory of the corresponding processor. This can be done by adding an additional LMB slave input to the data-side LMB block RAM Interface Controller (see the *LMB BRAM Interface Controller LogiCORE IP Product Guide* (PG112))

Parallel Debug

Parallel debug can be selected to improve timing in cases where timing closure is difficult to achieve with serial debug, in particular on stacked silicon interconnect (SSI) devices where the MDM core is placed in the master super logic region (SLR), and one or more MicroBlaze™ cores are placed in other regions. In this case it is suitable to configure both the MDM and MicroBlaze™ to use AXI parallel debug, which allows clocking of the debug signals between MDM and MicroBlaze™ using an AXI Register Slice. See *AXI Interconnect LogiCORE IP Product Guide* (PG059) for more information on how to use the AXI Register Slice.

When using internal BSCAN in SSI devices, the MDM placement is constrained to the master Super Logic Region (SLR1).

Xilinx Virtual Cable

When using external BSCAN for debugging with the Xilinx® Virtual Cable (XVC), the MDM is connected to a Debug Bridge IP core. This connection is normally automatically inferred by the Vivado® Design Suite, and in this case the MDM BSCAN location should be configured to select EXTERNAL_HIDDEN to hide the bus interface in Vivado IP Integrator. If an explicit connection needs to be made, configure the BSCAN location as EXTERNAL instead. For further details on the Debug Bridge, see the *Debug Bridge LogiCORE IP Product Guide* (PG245).

Clocking

The S_AXI_ACLK input is only used when the JTAG-based UART or Debug register access is enabled, and AXI4-Lite slave interconnect is used, or when BSCAN is disabled. Then it should normally be set to the same clock as the interconnect.

The `M_AXI_ACLK` input is used when JTAG Memory Access is enabled, and AXI4 master interconnect and/or LMB master interface is used. Then it must be set to the same clock as the interconnect and LMB interface. Different clocks for AXI4 and LMB is not supported in this case. The `M_AXI_ACLK` input is also used when AXI4 master trace output is selected. Then it must be set to the same clock as the interconnect. It can be asynchronous to other clocks. The LMB interface is not used in this case.

The `M_AXIS_ACLK` is used when AXI4-Stream trace output is selected. Then it should be set to the same clock as the AXI4-Stream slave the trace interface is connected to. It can be asynchronous to all other clocks.

The `TRACE_CLK` input clock is used when external trace output is selected. This clock could be generated on-chip or be derived from an off-chip source. It can be asynchronous to all other clocks. The nominal clock frequency is 200 MHz. If another clock frequency is used, the parameter `C_TRACE_CLK_FREQ_HZ` must be manually changed accordingly.

The `TRACE_CLK_OUT` output clock is a divided by two version of `TRACE_CLK`, to provide a clock that toggles on both edges of the `TRACE_DATA` and `TRACE_CTL` data and control outputs. To create a sample point at a stable point of the outputs, a 90° phase shift is nominally added to the `TRACE_CLK_OUT` clock. The phase shift can be adjusted manually with the parameter `C_TRACE_CLK_OUT_PHASE` if necessary.

For more details on the `TRACE_CLK` and `TRACE_CLK_OUT` clocking requirements, see the ().

Apart from the JTAG-based UART, Debug register access, JTAG memory access, and trace output, the MDM core is clocked from the BSCAN when it is enabled, with a clock frequency determined by the JTAG connection.

When programming a System ACE™ device, the MDM core clock must be at least twice as fast as the System ACE tool controller clock for the ELF file to load correctly.

Resets

The `Debug_SYS_Rst` output can be used to reset the entire embedded system on the device, including all processors and peripherals. Normally it is connected to a `proc_sys_reset` IP core. The Xilinx® System Debugger (XSDB) command `rst` can be used to activate the signal.

The Debug bus connecting each individual MicroBlaze™ processor handled by the MDM core, has the `Dbg_Rst` reset signal. This signal can be used to just reset an individual processor. The XSDB command `rst -processor` can be used to activate the signal for the selected target processor. The signal is not available when AXI parallel debug is selected.

The `S_AXI_ARESETN` input is only used when the JTAG-based UART or Debug register access is enabled, and AXI4-Lite slave interconnect is used, or when BSCAN is disabled. Then it should normally be set to the same reset as the interconnect.

The `M_AXI_ARESETN` input is used when JTAG Memory Access is enabled, and AXI4 master interconnect and/or LMB master interface is used. Then it must use the same reset as the interconnect. A corresponding reset for LMB must also be used. The `M_AXI_ARESETN` input is also used when AXI4 master trace output is selected. Then it must use the same reset as the interconnect. The LMB interface is not used in this case.

The `M_AXIS_ARESETN` is used when AXI4-Stream trace output is selected. Then it should use the same reset as the AXI4-Stream slave the trace interface is connected to.

Debug Register Access Sequence

Before starting to use debug register access functionality, the `DBG_LOCK` register must be written with the magic value (see Debug Register Access Locking Register (`DBG_LOCK`)) to enable access to the `DBG_CTRL` and `DBG_DATA` registers. By writing any other value to the `DBG_LOCK` register, access is again prohibited.

When the parameter `C_DEBUG_INTERFACE` is set to 1 or 2, direct debug register access is also available for the MicroBlaze™ debug data registers, in addition to the indirect access using the `DBG_CTRL` and `DBG_DATA` registers.

To access a single debug data register in a MicroBlaze processor using indirect debug access or the MDM core the following steps should be used:

1. Set the `DBG_CTRL` register value (see Debug Register Access Control Register (`DBG_CTRL`)) to define the debug register size, the 8-bit MDM core command, whether the register is an MDM core or MicroBlaze debug register, and the Access Lock type 01 (lock before first data access, and unlock after last data access). The `DBG_CTRL` values for all user accessible debug registers are defined in MDM Core User-Accessible Debug Registers .
2. Read back the `DBG_STAT` register (see Debug Register Access Status Register (`DBG_STATUS`)), and make sure the lock has been acquired. If not, go back to step 1.
3. Read or write data using the `DBG_DATA` register. The number of 32-bit accesses must correspond to the register bit size. If the bit size is 32 bits or less, one access is required, if it is 64 bits or less, two accesses are required, and so on.

To perform a sequence of atomic accesses to debug data registers in a MicroBlaze processor using indirect debug access or the MDM core, for example, to write a command followed by reading the corresponding data, the following steps should be used:

1. Set the `DBG_CTRL` register value (see Debug Register Access Control Register (DBG_CTRL)) to define the debug register size, the 8-bit MDM core command, whether the register is an MDM or MicroBlaze debug register, and the Access Lock type 10 (lock before first data access, and keep lock).
2. Read back the `DBG_STAT` register (see Debug Register Access Status Register (DBG_STATUS)), and make sure lock is acquired. If not, go to step 1.
3. Read or write data using the `DBG_DATA` register. The number of 32-bit accesses must correspond to the register bit size.
4. Repeat from step 1, until the last register to be accessed is reached.
5. Set the `DBG_CTRL` register value to define the debug register size, the 8-bit MDM command, whether the register is an MDM or MicroBlaze debug register, and the Access Lock type 01 (lock before first data access, and unlock after last data access) for the last register.
6. Read back the `DBG_STAT` register, and ensure that lock is still acquired.
7. Read or write data using the `DBG_DATA` register.

Care must be taken to always release the access lock when Boundary Scan is enabled, because JTAG is not able to access the debug registers while it is set. If a sequence of atomic accesses needs to be aborted, the access lock can be released by writing access lock type 00 to the `DBG_CTRL` register.

To access debug data registers in MicroBlaze using direct debug access, the accessed MicroBlaze processors must first be set using the Which MicroBlaze debug register. Also, if Boundary Scan is enabled, the `DBG_CTRL` register must be used to define the Access Lock type in the same way as described above for indirect debug access.

Cross Trigger Programming

The MDM core provides a programmable cross trigger crossbar that allows the eight trigger inputs of each connected processor and the four external trigger inputs to affect each of the eight trigger outputs of each connected processor and four external trigger outputs.



IMPORTANT! *In order to use the MDM core cross trigger functionality, all connected MicroBlaze™ processors must be configured to use Extended Debug (`C_DEBUG_ENABLED = 2`).*

In the simplest use case no programming is necessary, because the initial crossbar configuration is set up to:

- Connect the first four trigger inputs (Trigger Input 0 - 3) of the MicroBlaze processors to the external trigger outputs (External Trigger Output 0 - 3).
- Connect the external trigger inputs (Trigger Input 0 - 3) to the first four trigger outputs (Trigger Output 0 - 3) of the MicroBlaze processors.

The parameter `C_EXT_TRIG_RESET_VALUE` can be used to change this behavior, by setting the reset value of the External Cross Trigger Control Debug register. See the *MicroBlaze Processor Reference Guide (UG984)*, for the definition of the MicroBlaze trigger inputs and outputs.

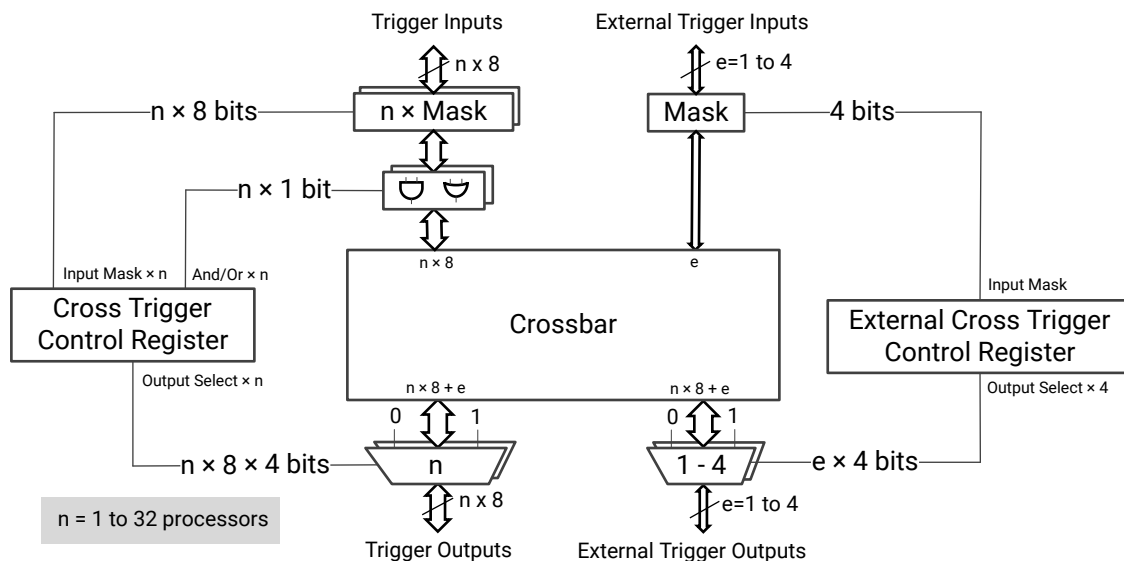
The crossbar is programmed per output and connected processor. The following sequence of debug register accesses can be used to select and program a trigger output of a specific MicroBlaze processor:

1. If there are more than one MicroBlaze processors, use the Which MicroBlaze Debug Register to select which processor to affect. If the trigger outputs of more than one processor in the crossbar should be connected the same way, all those processors can be selected for simultaneous write.
2. For each of the eight trigger outputs to define, write the Cross Trigger Control Register with the appropriate value, setting the register Index field to the trigger output number.
3. For each of the 4 external trigger outputs to define, write the External Cross Trigger Control register with the appropriate value, setting the register Index field to the external trigger output number.

To force a trigger output, a Cross Trigger Control register can be written twice, first to set the Output Select field to Static One, and then to restore the previous value.

The connection of the trigger inputs and outputs to the crossbar, and how they are affected by the cross trigger control registers is illustrated in the figure below.

Figure 5: Cross Trigger Block Diagram



X19934-031219

External Trace Connection

When external trace output is used, either directly or via the Zynq®-7000 Processing System, the output signals must be assigned to appropriate package pins.

The nominal assignment for KC-705 and ZC-706 boards when using the [Xilinx® FMC XM105 Debug Card](#) to connect the trace signals to a 38 pin Mictor connector are listed in the following table. The FMC HPC connector pins are also listed, which allows deriving the pin assignment for other boards using the same FMC connector and debug card.

Table 59: Trace Signal Pin Assignments

KC705			ZC706		FMC HPC Pin Name	Mictor Pin Number
Signal	Pin	IOB	Signal	Pin		
TRACE_clk_o	C25	No	TRACE_0_clk_o	AF20	LA00_CC_P	6
TRACE_ctl	C30	Yes	TRACE_0_ctl	AG25	LA10_N	36
TRACE_data[0]	D29	Yes	TRACE_0_data[0]	AG24	LA10_P	38
TRACE_data[1]	H27	Yes	TRACE_0_data[1]	AJ19	LA03_N	28
TRACE_data[2]	G28	Yes	TRACE_0_data[2]	AJ20	LA04_P	26
TRACE_data[3]	F28	Yes	TRACE_0_data[3]	AK20	LA04_N	24
TRACE_data[4]	B30	Yes	TRACE_0_data[4]	AD21	LA09_P	22
TRACE_data[5]	A30	Yes	TRACE_0_data[5]	AE21	LA09_N	20
TRACE_data[6]	D26	Yes	TRACE_0_data[6]	AG21	LA01_CC_P	18
TRACE_data[7]	C26	Yes	TRACE_0_data[7]	AH21	LA01_CC_N	16
TRACE_data[8]	G29	Yes	TRACE_0_data[8]	AH23	LA05_P	37
TRACE_data[9]	F30	Yes	TRACE_0_data[9]	AH24	LA05_N	35
TRACE_data[10]	H30	Yes	TRACE_0_data[10]	AG22	LA06_P	33
TRACE_data[11]	G30	Yes	TRACE_0_data[11]	AH22	LA06_N	31
TRACE_data[12]	E28	Yes	TRACE_0_data[12]	AJ23	LA07_P	29
TRACE_data[13]	D28	Yes	TRACE_0_data[13]	AJ24	LA07_N	27
TRACE_data[14]	E29	Yes	TRACE_0_data[14]	AF19	LA08_P	25
TRACE_data[15]	E30	Yes	TRACE_0_data[15]	AG19	LA08_N	23
Logic 0 = 0V	H26	No	Logic 0 = 0V	AH19	LA03_P	30
Logic 0 = 0V	H25	No	Logic 0 = 0V	AK18	LA02_N	32
Logic 1 = 1.8V	H24	No	Logic 1 = 1.8V	AK17	LA02_P	34

For the KC-705 board, the IOB column indicates pins where it is recommended to add a constraint to place the output flip-flop in the pad to minimize skew. The parameter `C_TRACE_OUTPUT` should be set to 1 and `C_TRACE_DATA_WIDTH` should be set to 16 with this pin assignment.

For the ZC-706 board, the MDM trace signals should be connected to the Zynq-7000 Processing System Fabric Trace Monitor (FTM), and the Zynq-7000 Processing System should be configured to output 16 data bits. The parameter C_TRACE_OUTPUT should be set to 2 in this case,

Protocol Description

The MDM Debug protocol is Xilinx internal, and not described in this document. All the details of the protocol are handled transparently to the user by the Xilinx® System Debugger (XSDB) or by the Vitis™ integrated design environment System Debugger.

Design Flow Steps

This section describes customizing and generating the core, constraining the core, and the simulation, synthesis, and implementation steps that are specific to this IP core. More detailed information about the standard Vivado[®] design flows and the IP integrator can be found in the following Vivado Design Suite user guides:

- *Vivado Design Suite User Guide: Designing IP Subsystems using IP Integrator* ([UG994](#))
- *Vivado Design Suite User Guide: Designing with IP* ([UG896](#))
- *Vivado Design Suite User Guide: Getting Started* ([UG910](#))
- *Vivado Design Suite User Guide: Logic Simulation* ([UG900](#))

Customizing and Generating the Core

This section includes information about using Xilinx[®] tools to customize and generate the core in the Vivado[®] Design Suite.

If you are customizing and generating the core in the Vivado IP integrator, see the *Vivado Design Suite User Guide: Designing IP Subsystems using IP Integrator* ([UG994](#)) for detailed information. IP integrator might auto-compute certain configuration values when validating or generating the design. To check whether the values do change, see the description of the parameter in this chapter. To view the parameter value, run the `validate_bd_design` command in the Tcl console.

You can customize the IP for use in your design by specifying values for the various parameters associated with the IP core using the following steps:

1. Select the IP from the IP catalog.
2. Double-click the selected IP or select the Customize IP command from the toolbar or right-click menu.

For details, see the *Vivado Design Suite User Guide: Designing with IP* ([UG896](#)) and the *Vivado Design Suite User Guide: Getting Started* ([UG910](#)).



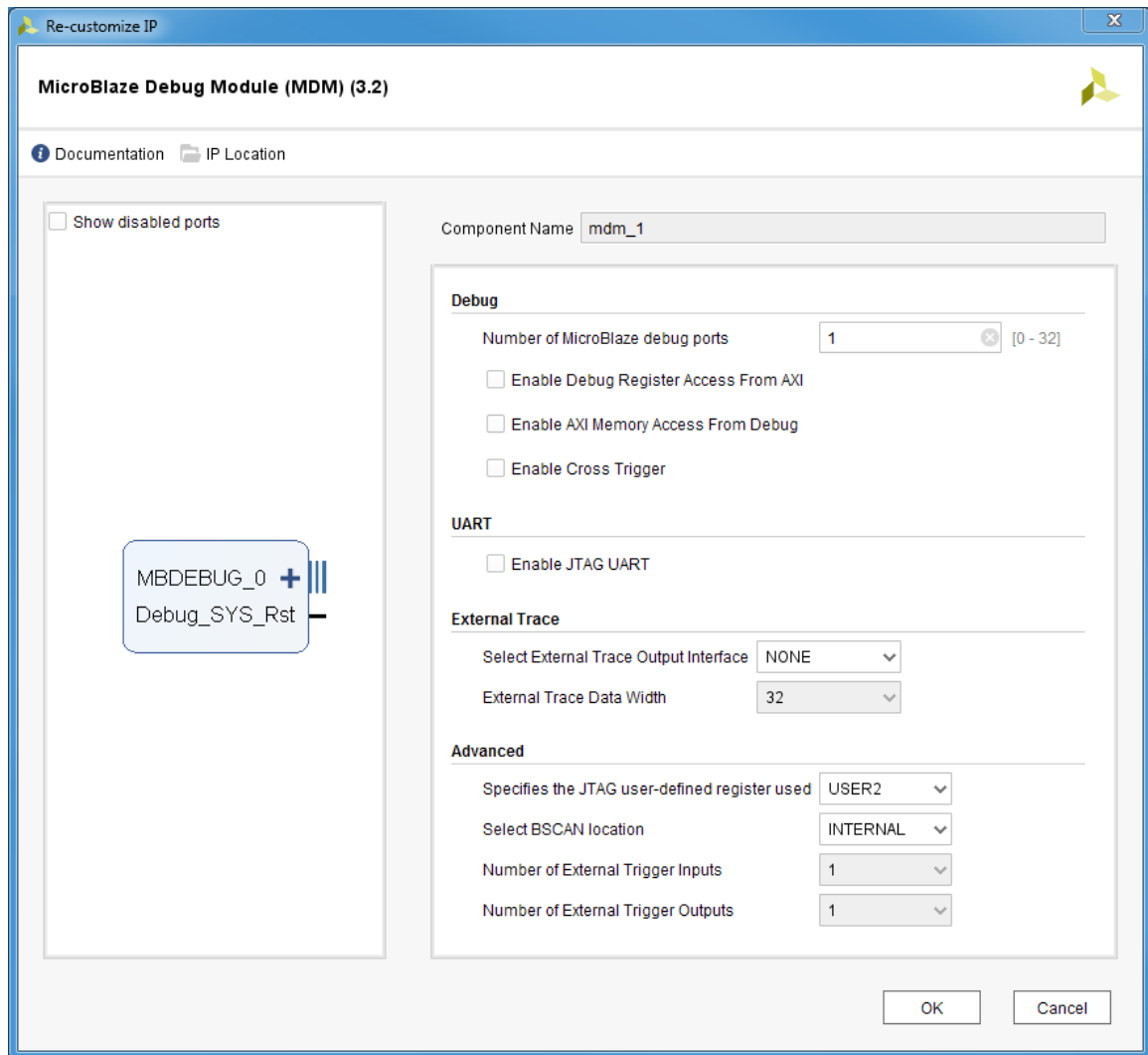
IMPORTANT! When using MicroBlaze™ parallel debug access, you must manually change the MDM address range from 4K to 64K in the Vivado IP Integrator Address Editor.

Figures in this chapter are illustrations of the Vivado IDE. The layout depicted here might vary from the current version.

The MDM core parameters are divided into three categories: Debug, UART and Advanced. When using the Vivado® IP Integrator, the address for the JTAG-based UART is auto-generated.

The Customize IP dialog box is shown in the following figure.

Figure 6: Customize IP Dialog Box



- **Number of MicroBlaze debug ports:** Sets the number of ports available to connect to MicroBlaze processors.
- **Enable Debug Register Access From AXI:** Enables the functionality to access JTAG Debug registers from AXI and the AXI4-Lite slave interface.

- **Enable AXI Memory Access From Debug:** Enables the functionality to access memory directly from JTAG, using the AXI4 master interface and the LMB master interfaces.
- **Enable Cross Trigger:** Enables the cross trigger functionality, and the external cross-trigger interfaces. Cross trigger is not available when selecting AXI parallel debug.
- **Enable JTAG UART:** Enables the JTAG UART and the AXI4-Lite slave interface to access the UART registers.
- **Select External Trace Output Interface:** Enables trace output functionality, and selects the output interface: External, AXI4-Stream or AXI4-Master. External trace is not available when selecting AXI parallel debug.
- **External Trace Data Width:** Defines the data width for the trace output interface External and AXI4-Stream: 2, 4, 8, 16, or 32 bits.
- **Specify the JTAG user-defined register used:** Select JTAG user-defined register. Can be set to USER1, USER2, USER3, or USER4. Should never need to be changed from USER2, unless there is a conflict with another IP core in the system.
- **Select BSCAN location:** Selects whether internal or external BSCAN is used, or disables BSCAN. Should normally be set to INTERNAL in an embedded system. Should be set to EXTERNAL or EXTERNAL HIDDEN when debugging with the Xilinx Virtual Cable (XVC) using the Debug Bridge. Can be set to NONE to disable BSCAN completely, when only Debug register access is used and no software debug is required.
- **Number of External Trigger Inputs:** Defines the number of external trigger input interfaces to use when cross trigger is enabled.
- **Number of External Trigger Outputs:** Defines the number of external trigger output interfaces to use when cross trigger is enabled.

Parameter Values

To tailor an MDM core uniquely for a specific system, certain features can be parameterized in the core design. This allows you to configure a design that only uses the resources required by the system. The features that can be parameterized in MDM designs are shown in the following table.

Table 60: MDM Design Parameters

Feature / Description	Parameter Name	Allowable Values	Default Value	VHDL Type
System Parameters				
Target family	C_FAMILY	See IP Facts	Virtex®-7	string
AXI Master address width	C_M_AXI_ADDR_WIDTH	32-64	32	integer
LMB address size	C_ADDR_SIZE	32-64	32	integer
Debug Parameters				
Number of MicroBlaze™ debug ports	C_MB_DBG_PORTS	0–32 ¹	1	integer
Enable Debug register access from AXI	C_DBG_REG_ACCESS	0,1	0	integer
Enable AXI memory access from debug	C_DBG_MEM_ACCESS	0,1	0	integer
Enable cross trigger ³	C_USE_CROSS_TRIGGER	0,1	0	integer
UART Parameters				
Enable JTAG UART	C_USE_UART	0,1	1	integer
Trace Parameters³				
Enable Trace Output	C_TRACE_OUTPUT	0,1,2,3	0	integer
External and AXI4-Stream Trace Data Width	C_TRACE_DATA_WIDTH	2,4,8,16,32	0	integer
External Trace Clock Input Frequency ²	C_TRACE_CLK_FREQ_HZ	Output clock frequency multiplied by 2	200	integer
External Trace Clock Phase ²	C_TRACE_CLK_OUT_PHASE	0–360	90	integer
External Trace Protocol ²	C_TRACE_PROTOCOL	0 = DEFAULT 1 = ALTERNATE	1	integer
External Trace ID ²	C_TRACE_ID	1–110	110	integer
Advanced Parameters				
Specifies the JTAG user-defined register used	C_JTAG_CHAIN	1 = USER1 2 = USER2 3 = USER3 4 = USER4	2	integer

Table 60: MDM Design Parameters (cont'd)

Feature / Description	Parameter Name	Allowable Values	Default Value	VHDL Type
Select BSCAN location	C_USE_BSCAN	0 = INTERNAL 2 = EXTERNAL 3 = NONE 4 = EXTERNAL HIDDEN	0	integer
Define BSCAN id ²	C_BSCANID	0 - 0xFFFFFFFF	0x4900300	integer
MicroBlaze Debug connection ²	C_DEBUG_INTERFACE	0 = SERIAL 1 = PARALLEL 2 = AXI	0	integer
Number of external trigger inputs	C_TRIG_IN_PORTS	0,1,2,3,4	1	integer
Number of external trigger outputs	C_TRIG_OUT_PORTS	0,1,2,3,4	1	integer
External trigger reset value ²	C_EXT_TRIG_RESET_VALUE	0x00000-0xFFFFFFFF	0xF1234	integer
Avoid SRL16 and SRL32 FPGA primitives ²	C_AVOID_PRIMITIVES	0,1	0	integer

Notes:

1. A value of 0 is legal and can be used if the MDM core is set up to only access AXI memory
2. Not available in the Customize IP dialog box
3. Not available when C_DEBUG_INTERFACE = 2 (AXI).

In addition to the parameters listed in this table, there are also parameters that are inferred for each AXI interface in the tools. Through the design, these inferred parameters control the behavior of the AXI Interconnect. For a complete list of the interconnect settings related to the AXI interface, see the *AXI Interconnect LogiCORE IP Product Guide (PG059)*.

User Parameters

The following table shows the relationship between the fields in the Vivado® IDE and the user parameters (which can be viewed in the Tcl Console).

Table 61: Vivado IDE Parameter to User Parameter Relationship

Vivado IDE Parameter	User Parameter	Default Value
Number of MicroBlaze™ debug ports	C_MB_DBG_PORTS	1
Enable Debug Register Access from AXI	C_DBG_REG_ACCESS	0
Enable AXI Memory Access From Debug	C_DBG_MEM_ACCESS	0
Enable Cross Trigger	C_USE_CROSS_TRIGGER	0
Enable JTAG UART	C_USE_UART	0
Select External Trace Output Interface	C_TRACE_OUTPUT	0 = None

Table 61: Vivado IDE Parameter to User Parameter Relationship (cont'd)

Vivado IDE Parameter	User Parameter	Default Value
External Trace Data Width	C_TRACE_DATA_WIDTH	32
Specifies the JTAG user-defined register used	C_JTAG_CHAIN	2 = USER2
Select BSCAN location	C_USE_BSCAN	0 = INTERNAL
Number of External Trigger Inputs	C_TRIG_IN_PORTS	1
Number of External Trigger Outputs	C_TRIG_OUT_PORTS	1

Allowable Parameter Combinations

There are no restrictions on parameter combinations for this core.

Output Generation

The following files are generated by the IP in Vivado® IP Integrator:

- Verilog/VHDL Template
- VHDL source files
- VHDL wrapper file in the library work

For details, see the *Vivado Design Suite User Guide: Designing with IP* ([UG896](#)).

Constraining the Core

This section contains information about constraining the core in the Vivado® Design Suite.

Required Constraints

This section is not applicable for this IP core.

Device, Package, and Speed Grade Selections

This section is not applicable for this IP core.

Clock Frequencies

This section is not applicable for this IP core.

Clock Management

The MDM Debug logic is fully synchronous with the BSCAN module. Internally BUFG primitives are instantiated to buffer the DRCK clock from the BSCAN module.

The MDM JTAG-based UART and Debug register access is fully synchronous to the AXI4-Lite slave bus interface clock, and isolated from the BSCAN clock region with FIFOs and synchronization flip-flops when BSCAN is used.

The JTAG Memory Access AXI4 master interface and LMB master interfaces are fully synchronous to the AXI4 master clock, and isolated from the BSCAN clock region with FIFOs and synchronization flip-flops.

When MicroBlaze™ parallel debug interface is selected (`C_DEBUG_INTERFACE > 0`) all Debug register access is fully synchronous to the AXI4-Lite slave bus interface clock. The clocking of the connected processors depends on the used interface:

- In case `C_DEBUG_INTERFACE` is set to 1 (PARALLEL), the same clock must be used to clock the AXI4-Lite slave bus interface and all connected MicroBlaze processors.
- In case `C_DEBUG_INTERFACE` is set to 2 (AXI), different clocks can be used by the MDM and the connected MicroBlaze processors, since the AXI interconnect provides clock conversion.

Clock Placement

This section is not applicable for this IP core.

Banking

This section is not applicable for this IP core.

Transceiver Placement

This section is not applicable for this IP core.

I/O Standard and Placement

This section is not applicable for this IP core.

Simulation

For comprehensive information about Vivado® simulation components, as well as information about using supported third-party tools, see the *Vivado Design Suite User Guide: Logic Simulation (UG900)*.



IMPORTANT! For cores targeting Xilinx® 7 series FPGA or Zynq®-7000 devices, UNIFAST libraries are not supported. Xilinx IP is tested and qualified with UNISIM libraries only.

Synthesis and Implementation

For details about synthesis and implementation, see the *Vivado Design Suite User Guide: Designing with IP (UG896)*.

Upgrading

This appendix is not applicable for the first release of the core.

Migrating to the Vivado Design Suite

For information about migrating to the Vivado Design Suite, see the *ISE to Vivado Design Suite Migration Guide* ([UG911](#)).

Upgrading in the Vivado Design Suite

This section provides information about any changes to the user logic or port designations that take place when you upgrade to a more current version of this IP core in the Vivado[®] Design Suite.

The AXI4-Lite slave interface address width parameter, `C_S_AXI_ADDR_WIDTH`, has been changed to only use the necessary number of bits to decode the AXI slave registers. The parameter is normally automatically determined, and need not be explicitly set.

Debugging

This appendix includes details about resources available on the Xilinx® Support website and debugging tools.

Finding Help on Xilinx.com

To help in the design and debug process when using the core, the [Xilinx Support web page](#) contains key resources such as product documentation, release notes, answer records, information about known issues, and links for obtaining further product support. The [Xilinx Community Forums](#) are also available where members can learn, participate, share, and ask questions about Xilinx solutions.

Documentation

This product guide is the main document associated with the core. This guide, along with documentation related to all products that aid in the design process, can be found on the [Xilinx Support web page](#) or by using the Xilinx® Documentation Navigator. Download the Xilinx Documentation Navigator from the [Downloads page](#). For more information about this tool and the features available, open the online help after installation.

Answer Records

Answer Records include information about commonly encountered problems, helpful information on how to resolve these problems, and any known issues with a Xilinx product. Answer Records are created and maintained daily ensuring that users have access to the most accurate information available.

Answer Records for this core can be located by using the Search Support box on the main [Xilinx support web page](#). To maximize your search results, use keywords such as:

- Product name
- Tool message(s)
- Summary of the issue encountered

A filter search is available after results are returned to further target the results.

Master Answer Record for the Core

AR: [54413](#).

Technical Support

Xilinx provides technical support on the [Xilinx Community Forums](#) for this LogiCORE™ IP product when used as described in the product documentation. Xilinx cannot guarantee timing, functionality, or support if you do any of the following:

- Implement the solution in devices that are not defined in the documentation.
- Customize the solution beyond that allowed in the product documentation.
- Change any section of the design labeled DO NOT MODIFY.

To ask questions, navigate to the [Xilinx Community Forums](#).

Debug Tools

There are many tools available to address MDM design issues. It is important to know which tools are useful for debugging various situations.

Vivado Design Suite Debug Feature

The Vivado® Design Suite debug feature inserts logic analyzer and virtual I/O cores directly into your design. The debug feature also allows you to set trigger conditions to capture application and integrated block port signals in hardware. Captured signals can then be analyzed. This feature in the Vivado IDE is used for logic debugging and validation of a design running in Xilinx® devices.

The Vivado logic analyzer is used to interact with the logic debug LogiCORE IP cores, including:

- ILA 2.0 (and later versions)
- VIO 2.0 (and later versions)

See the *Vivado Design Suite User Guide: Programming and Debugging* ([UG908](#)).

Reference Boards

All 7 series and UltraScale™ architecture Xilinx® development boards support the MDM core. These boards can be used to prototype designs and establish that the core can communicate with the system.

Simulation Debug

The simulation debug flow for Mentor Graphics Questa Advanced Simulator is illustrated in the following figure. A similar approach can be used with other simulators.

- Check for the latest supported versions of Questa Advanced Simulator in the [Xilinx® Design Tools: Release Notes Guide](#). Is this version being used? If not, update to this version.
- If using Verilog, do you have a mixed mode simulation license? If not, obtain a mixed-mode license.
- Ensure that the proper libraries are compiled and mapped. In the Vivado® Design Suite **Flow > Simulation Settings** can be used to define the libraries.
- Have you associated the intended software program for the MicroBlaze™ processor with the simulation? Use the command **Tools > Associate ELF Files** in Vivado Design Suite.
- When observing the traffic on the interfaces connected to the MDM core, see the timing in the relevant specification:
 - For AXI4 and AXI4-Lite, see the AMBA® AXI and ACE Protocol Specification.

Hardware Debug

Hardware issues can range from link bring-up to problems seen after hours of testing. This section provides debug steps for common issues. The Vivado® debug feature is a valuable resource to use in hardware debug. The signal names mentioned in the following individual sections can be probed using the debug feature for debugging the specific problems.

General Checks

Ensure that all the timing constraints for the core were properly incorporated from the example design and that all constraints were met during implementation.

- Does it work in post-place and route timing simulation? If problems are seen in hardware but not in timing simulation, this could indicate a PCB issue. Ensure that all clock sources are active and clean.

- If using MMCMs in the design, ensure that all MMCMs have obtained lock by monitoring the `locked` port.
- If your outputs go to 0, check your licensing.

Interface Debug

AXI4-Lite Interfaces

Read from a register that does not have all 0s as a default to verify that the interface is functional. Output `S_AXI_ARREADY` asserts when the read address is valid, and output `S_AXI_RVALID` asserts when the read data/response is valid. If the interface is unresponsive, ensure that the following conditions are met:

- The `S_AXI_ACLK` input is connected and toggling.
- The interface is not being held in reset, and `S_AXI_ARESETN` is an active-Low reset
- If the simulation has been run, verify in simulation and/or a debug feature capture that the waveform is correct for accessing the AXI4-Lite interface.

Application Software Development

Device Drivers

The MDM JTAG-based UART interface is supported by the UART Lite driver, included with the Xilinx[®] Vitis[™] software platform.

Additional Resources and Legal Notices

Xilinx Resources

For support resources such as Answers, Documentation, Downloads, and Forums, see [Xilinx Support](#).

Documentation Navigator and Design Hubs

Xilinx[®] Documentation Navigator (DocNav) provides access to Xilinx documents, videos, and support resources, which you can filter and search to find information. To open DocNav:

- From the Vivado[®] IDE, select **Help** → **Documentation and Tutorials**.
- On Windows, select **Start** → **All Programs** → **Xilinx Design Tools** → **DocNav**.
- At the Linux command prompt, enter `docnav`.

Xilinx Design Hubs provide links to documentation organized by design tasks and other topics, which you can use to learn key concepts and address frequently asked questions. To access the Design Hubs:

- In DocNav, click the **Design Hubs View** tab.
- On the Xilinx website, see the [Design Hubs](#) page.

Note: For more information on DocNav, see the [Documentation Navigator](#) page on the Xilinx website.

References

These documents provide supplemental material useful with this guide:

1. *AMBA AXI and ACE Protocol Specification* ([ARM IHI0022E](#))
2. *AMBA AXI4-Stream Protocol Specification* ([ARM IHI 0051A](#))
3. *Arm CoreSight Architecture Specification, v2.0* (Arm IHI 0029D)
4. *AXI UART Lite LogiCORE IP Product Guide* ([PG142](#))
5. *MicroBlaze Processor Reference Guide* ([UG984](#))
6. *LMB BRAM Interface Controller LogiCORE IP Product Guide* ([PG112](#))
7. *Zynq-7000 SoC Technical Reference Manual* ([UG585](#))
8. *Vivado Design Suite User Guide: Designing IP Subsystems using IP Integrator* ([UG994](#))
9. *Vivado Design Suite User Guide: Designing with IP* ([UG896](#))
10. *Vivado Design Suite User Guide: Getting Started* ([UG910](#))
11. *Vivado Design Suite User Guide: Logic Simulation* ([UG900](#))
12. *AXI Interconnect LogiCORE IP Product Guide* ([PG059](#))
13. *ISE to Vivado Design Suite Migration Guide* ([UG911](#))
14. *Vivado Design Suite User Guide: Programming and Debugging* ([UG908](#))
15. *Debug Bridge LogiCORE IP Product Guide* ([PG245](#))
16. *Vivado Design Suite User Guide: Embedded Processor Hardware Design* ([UG898](#))

Revision History

The following table shows the revision history for this document.

Section	Revision Summary
11/14/2019 Version 3.2	
General Updates	<ul style="list-style-type: none"> • Updated to replace SDK with Vitis
06/28/2019 Version 3.2	
General Updates	<ul style="list-style-type: none"> • Updated MDM Extended Configuration Debug Register
11/14/2018 Version 3.2	
General Updates	<ul style="list-style-type: none"> • Updated to describe AXI master extended address support available with MicroBlaze™ 64-bit mode. • Added recommendations on MDM usage for multiprocessor designs

Section	Revision Summary
04/04/2018 Version 3.2	
General Updates	<ul style="list-style-type: none"> • Describe feature to locate MDM with internal BSCAN in Master SLR. • Updated description of parallel debug clocking.
12/20/2017 Version 3.2	
General Updates	<ul style="list-style-type: none"> • Documented that MDM always responds to AXI slave accesses. • Added description of alternate external trace protocol. • Described external cross trigger reset value parameter.
10/04/2017 Version 3.2	
General Updates	<ul style="list-style-type: none"> • Updated description of parallel debug access. • Added description of Xilinx® Virtual Cable (XVC) support. • Added bscan_ext_tck port.
04/05/2017 Version 3.2	
General Updates	<ul style="list-style-type: none"> • Added description of parameter to control instantiation of FPGA primitives. • Updated external trace to describe option to set AXI4-Stream data width.
10/05/2016 Version 3.2	
General Updates	<ul style="list-style-type: none"> • Added description of parallel debug access. • Replaced references to the deprecated Xilinx Microprocessor Debugger (XMD) with Xilinx System Debugger (XSDB).
11/18/2015 Version 3.2	
General Updates	Added support for UltraScale+™ families.
06/24/2015 Version 3.2	
General Updates	Moved performance and resource utilization data to the web.
10/01/2014 Version 3.2	
General Updates	<ul style="list-style-type: none"> • Updated due to core revision. • Added description of external trace.
04/02/2014 Version 3.1	
General Updates	<ul style="list-style-type: none"> • Document version number advanced to match the core version number. • Updated due to core revision. • Added description of debug enhancements.

Section	Revision Summary
03/20/2013 Version 1.0	
General Updates	This Product Guide replaces PG062. There are no documentation changes for this release.

Please Read: Important Legal Notices

The information disclosed to you hereunder (the "Materials") is provided solely for the selection and use of Xilinx products. To the maximum extent permitted by applicable law: (1) Materials are made available "AS IS" and with all faults, Xilinx hereby **DISCLAIMS ALL WARRANTIES AND CONDITIONS, EXPRESS, IMPLIED, OR STATUTORY, INCLUDING BUT NOT LIMITED TO WARRANTIES OF MERCHANTABILITY, NON-INFRINGEMENT, OR FITNESS FOR ANY PARTICULAR PURPOSE**; and (2) Xilinx shall not be liable (whether in contract or tort, including negligence, or under any other theory of liability) for any loss or damage of any kind or nature related to, arising under, or in connection with, the Materials (including your use of the Materials), including for any direct, indirect, special, incidental, or consequential loss or damage (including loss of data, profits, goodwill, or any type of loss or damage suffered as a result of any action brought by a third party) even if such damage or loss was reasonably foreseeable or Xilinx had been advised of the possibility of the same. Xilinx assumes no obligation to correct any errors contained in the Materials or to notify you of updates to the Materials or to product specifications. You may not reproduce, modify, distribute, or publicly display the Materials without prior written consent. Certain products are subject to the terms and conditions of Xilinx's limited warranty, please refer to Xilinx's Terms of Sale which can be viewed at <https://www.xilinx.com/legal.htm#tos>; IP cores may be subject to warranty and support terms contained in a license issued to you by Xilinx. Xilinx products are not designed or intended to be fail-safe or for use in any application requiring fail-safe performance; you assume sole risk and liability for use of Xilinx products in such critical applications, please refer to Xilinx's Terms of Sale which can be viewed at <https://www.xilinx.com/legal.htm#tos>.

AUTOMOTIVE APPLICATIONS DISCLAIMER

AUTOMOTIVE PRODUCTS (IDENTIFIED AS "XA" IN THE PART NUMBER) ARE NOT WARRANTED FOR USE IN THE DEPLOYMENT OF AIRBAGS OR FOR USE IN APPLICATIONS THAT AFFECT CONTROL OF A VEHICLE ("SAFETY APPLICATION") UNLESS THERE IS A SAFETY CONCEPT OR REDUNDANCY FEATURE CONSISTENT WITH THE ISO 26262 AUTOMOTIVE SAFETY STANDARD ("SAFETY DESIGN"). CUSTOMER SHALL, PRIOR TO USING OR DISTRIBUTING ANY SYSTEMS THAT INCORPORATE PRODUCTS, THOROUGHLY TEST SUCH SYSTEMS FOR SAFETY PURPOSES. USE OF PRODUCTS IN A SAFETY APPLICATION WITHOUT A SAFETY DESIGN IS FULLY AT THE RISK OF CUSTOMER, SUBJECT ONLY TO APPLICABLE LAWS AND REGULATIONS GOVERNING LIMITATIONS ON PRODUCT LIABILITY.

Copyright

© Copyright 2013-2019 Xilinx, Inc. Xilinx, the Xilinx logo, Alveo, Artix, Kintex, Spartan, Versal, Virtex, Vivado, Zynq, and other designated brands included herein are trademarks of Xilinx in the United States and other countries. All other trademarks are the property of their respective owners.